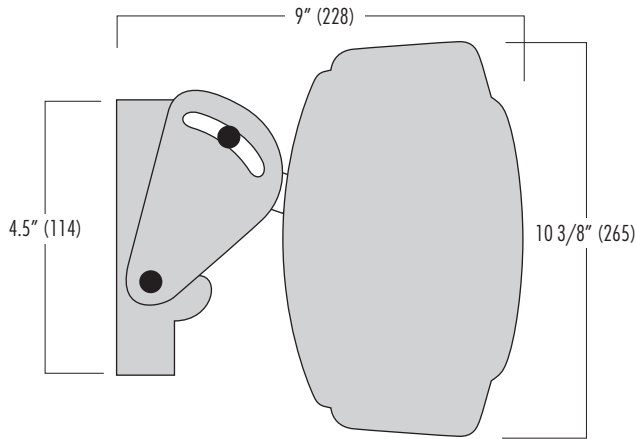
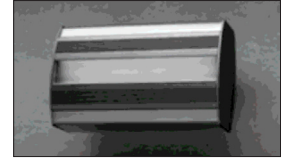


QUANTA

QT250



DESCRIPTION

Quanta is perfect for highlighting architectural features or illuminating wide areas on building perimeters. Giving you more control of what you choose to illuminate. Featuring a dark sky friendly full cutoff down light, you will also benefit from various lighting intensities, exceptional lumen efficiency and optional forward throw with on site adjustability.

A standard 15° luminaire tilt with a locking mechanism, allows tuning of light with illuminated surface texture.

Quanta may be installed for exterior or interior lighting applications.

Quanta will provide a min. of 50 ft. of effective wall illumination.

Quanta is designed to achieve various lighting functions while keeping continuity in design.

Combined up and down light.

Both up and down light components are completely independent of each other allowing to pin point desired light distribution.

An optional front light marker is available for visual effect.

GENERAL SPECIFICATION

FINISH

Five stage preparation process. Polyester powder coating is applied through an electrostatic process and oven cured for longterm durability against harsh weather treatments.

- Extruded aluminum with internal heat sink for effective dissipation of heat
- Fully sealed luminaire with memory retention gasketing
- Clear tempered glass lens
- Weather resistant IP66 connection
- U.V stabilized SE00W power cable meets U.L 62
- Cast aluminum mounting assembly with holder cables to facilitate electrical connections during installation
- Single point mounting with heavy cast aluminum mechanism
- Blind pressure stainless steel fasteners
- Standard 4 K LED's. (Optional 35 K is available)
- U.L listed for wet location IP66

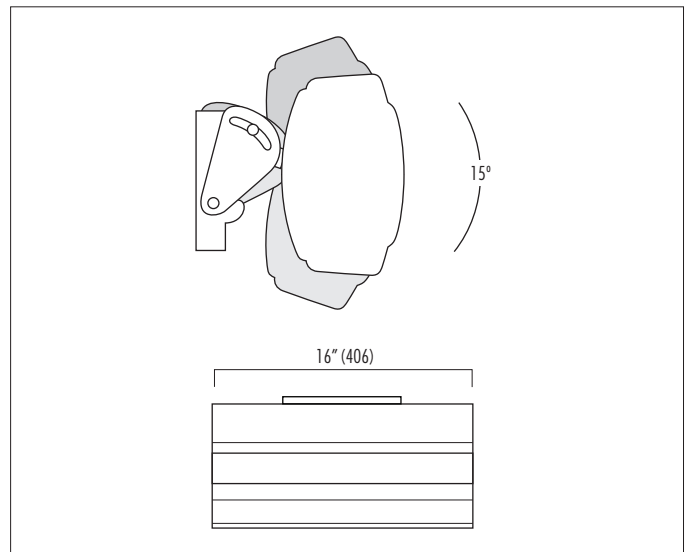
LM79 Independent photometry testing

LM80 Certified components

ELECTRICAL SPECIFICATION

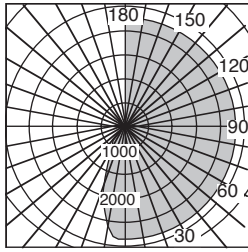
- Optical loss < 15%
- Thermal loss < 10% at 25°C ambient temperature
- Power factor > 90% at full load
- Voltage: 120/277V Constant voltage (+/- 10%)
- Frequency: 56/60 HZ
- System efficacy < 50%
- Delivered lumens over 50,000 hours: Min. 85%
- Overheat protection, self-limited short circuit protection and overload protected
- Load regulated from 0 to full load +/- 1%
- LED life rated at min. 50,000 hours
- Exclusive modular PC LED boards. Each module can be easily replaceable on site if required.

Quanta features a 15° tilt adjustment with angular indicators and locking mechanism.

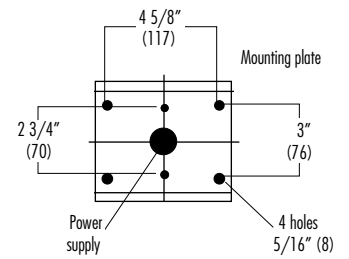


PHOTOMETRY

Please visit our web site www.luminis.com for complete I.E.S formatted download data.



MOUNTING



LUMINAIRE SELECTION

<p>QT250 Up/Down light</p>	<p>LUMINAIRE FOR UP/DOWN LIGHTING</p> <table border="1"> <tr><td>Lens type</td><td>Narrow</td></tr> <tr><td>Input watts</td><td>48</td></tr> <tr><td>Total flux</td><td>2736 Lms</td></tr> <tr><td>LPW</td><td>52 lms</td></tr> </table>	Lens type	Narrow	Input watts	48	Total flux	2736 Lms	LPW	52 lms	
Lens type	Narrow									
Input watts	48									
Total flux	2736 Lms									
LPW	52 lms									
<p>QT250-FWU Up light FWD</p>	<p>LUMINAIRE WITH UP LIGHT FORWARD THROW</p> <table border="1"> <tr><td>Lens type</td><td>Narrow</td></tr> <tr><td>Input watts</td><td>60</td></tr> <tr><td>Total flux</td><td>3420 Lms</td></tr> <tr><td>LPW</td><td>52 lms</td></tr> </table>	Lens type	Narrow	Input watts	60	Total flux	3420 Lms	LPW	52 lms	
Lens type	Narrow									
Input watts	60									
Total flux	3420 Lms									
LPW	52 lms									
<p>QT250-FDW Down light FWD</p>	<p>LUMINAIRE WITH DOWN LIGHT FORWARD THROW</p> <table border="1"> <tr><td>Lens type</td><td>Narrow</td></tr> <tr><td>Input watts</td><td>60</td></tr> <tr><td>Total flux</td><td>3420 Lms</td></tr> <tr><td>LPW</td><td>52 lms</td></tr> </table>	Lens type	Narrow	Input watts	60	Total flux	3420 Lms	LPW	52 lms	
Lens type	Narrow									
Input watts	60									
Total flux	3420 Lms									
LPW	52 lms									
<p>QT250-FWUD Up/down forward throw</p>	<p>LUMINAIRE WITH UP AND DOWN LIGHT FORWARD THROW</p> <table border="1"> <tr><td>Lens type</td><td>Narrow</td></tr> <tr><td>Input watts</td><td>72</td></tr> <tr><td>Total flux</td><td>4104 Lms</td></tr> <tr><td>LPW</td><td>52 lms</td></tr> </table>	Lens type	Narrow	Input watts	72	Total flux	4104 Lms	LPW	52 lms	
Lens type	Narrow									
Input watts	72									
Total flux	4104 Lms									
LPW	52 lms									

Please add Voltage-Finish & Option suffix (If applicable) to selected catalog number.

VOLTAGE

- 120 V
 277 V

Luminaires are prewired for 120V if no voltage is specified.

STANDARD FINISHES

- WHT:** Snow white
 BKT: Jet black
 BZT: Bronze
 GRT: Titanium gray
 DGT: Gun metal
 CHT: Champagne
 CS: Custom color

(Refer to color chart)

OPTIONS

- K35** 3500° K LED color rendition
 LP Prismatic LED concealing lens 10% loss
 RMQ LED remote emergency battery
 FR Optional front light. Add 2W to Input Wattage.

LUMINIS

(USA) 3555 NW 53rd Court, Fort Lauderdale, FL.33309 — Toll free: 888.401.6999, Fax: 954.717.4157
(Canada) 260 Labrosse, Pointe Claire (Quebec) H9R 5L5

www.luminis.com