

Specification

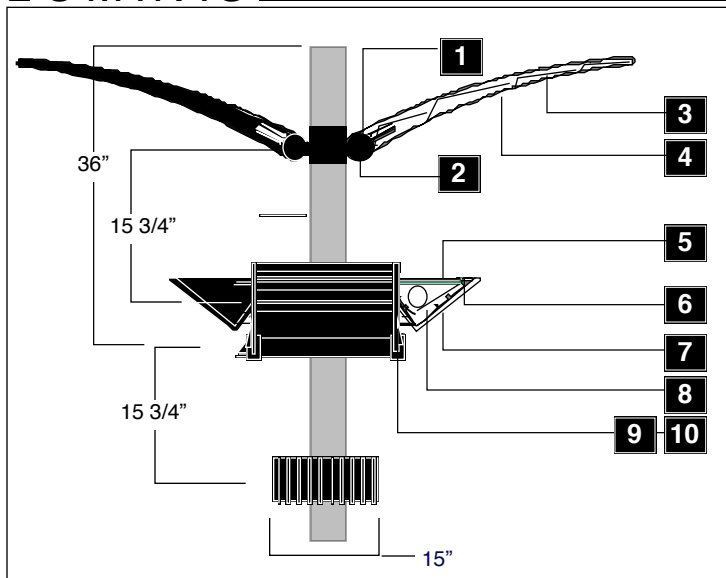
PL40P

All exposed cast aluminum components are made of non corrosive pure aluminum copper free (Aluminum is less than .1% copper content.#356 alloy.)

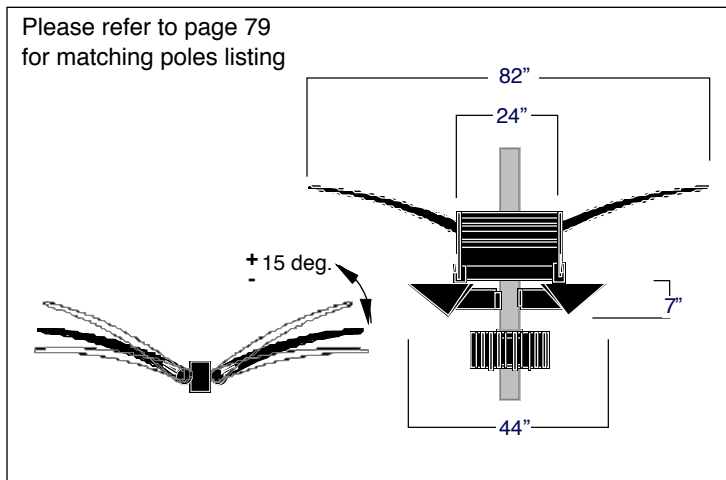
Finish: All polyester powder baked coatings preceded with a 5 baths preparation process. Meets military grade MIL-C781706 with a 2000 hours salt spray test.

- Multi faceted twin reflector assembly can tilt and slide along pole side, to maximize desired performance on field. A locking cast aluminum assembly is provided to secure adjusted position of reflectors.
- Multi faceted reflector panels are painted with a textured white coating applied on both faces. The white enamel textured finish over the reflective surface insures optimal lighting performance and brightness control.
- Pulse rated porcelain socket.
- One-piece molded silicone gasket with memory retention.
- High power factor CWA ballast.
- All stainless steel hardware.
- All Moving and removable parts are sealed with a memory retention silicone gasket.

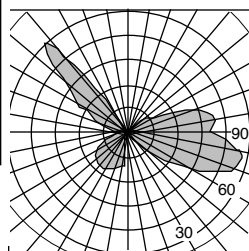
- 1 - Aluminum reflector sliding assembly.
- 2 - Cast aluminum tilting and locking assembly.
- 3 - Multi facet textured white aluminum reflector panels assembly.
- 4 - Cast aluminum curved reflector joiner arms.
- 5 - Tempered clear glass lens.
- 6 - Cast aluminum sealed removable glass frame, with perimeter memory retention embedded silicone gasket.
- 7 - Cast aluminum luminaire housing with heat dissipation fins.
- 8 - Specular aluminum reflector.
- 9 - Isolated and sealed aluminum ballast housing.
- 10 - 11 ga. galvanized pressure mounting plate.



Please refer to page 79 for matching poles listing



Photometry




Separate updated technical specification sheets with related models and light sources with I.E.S formatted photometry are available on www.luminis.com.

Certification

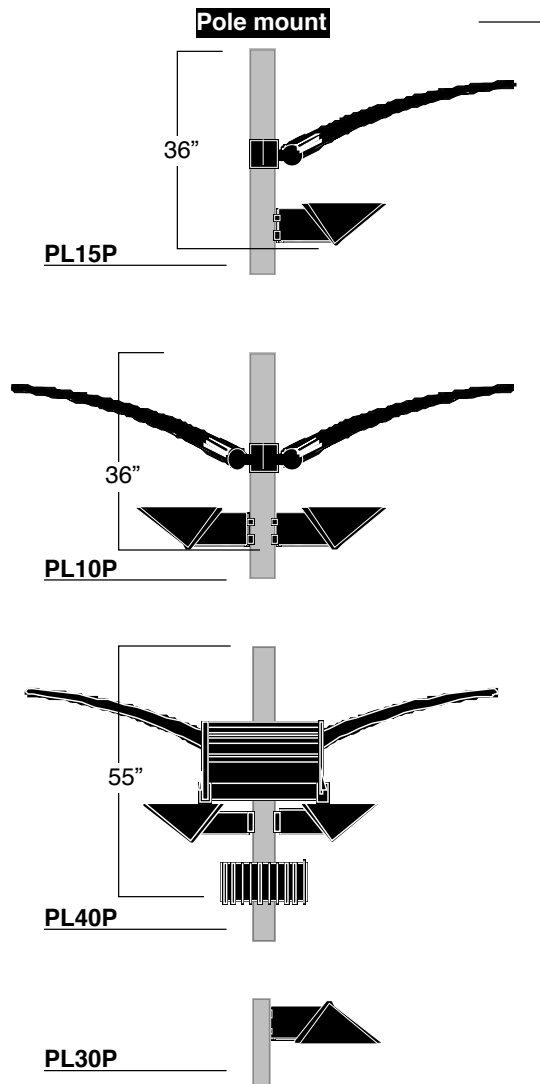
UL. Wet Location.

Mounting / EPA

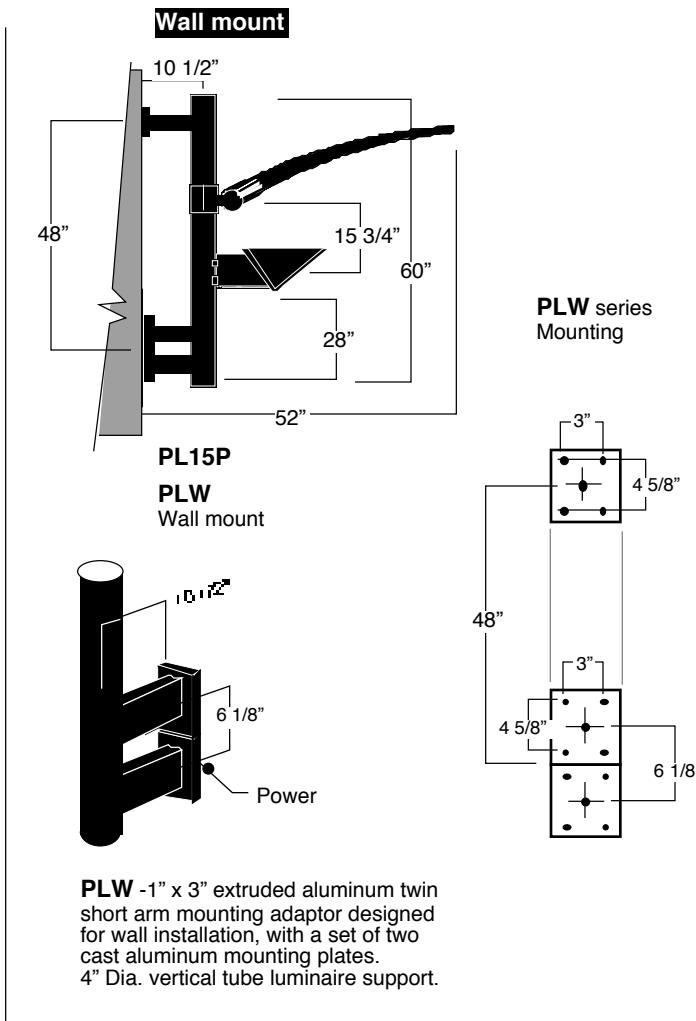
EPA:
Fits with a 4" or 5" dia. pole..

Model#	Light source selection	Voltage	Finish	Options
<input type="checkbox"/> PL40P 	MH (ED17) <input type="checkbox"/> M70 <input type="checkbox"/> M100 <input type="checkbox"/> M150 <input type="checkbox"/> M175 <input type="checkbox"/> * M250 (T15) Mog. base	120 V Standard factory prewired (If no voltage is specified) For other voltages, please specify with catalog number.	(Refer to color chart) Standard selection <input type="checkbox"/> WHT: Snow white <input type="checkbox"/> BKT: Jet black <input type="checkbox"/> BZT: Bronze <input type="checkbox"/> GRT: Titanium gray <input type="checkbox"/> DGT: Gun metal <input type="checkbox"/> CHT: Champagne <input type="checkbox"/> MST: Matte silver <input type="checkbox"/> GNT: Forest green Optional colors <input type="checkbox"/> CS: Custom color <input type="checkbox"/> RAL: RAL# color	Electrical <input type="checkbox"/> FS: Fuse <input type="checkbox"/> PH1: 120/277V photo cell <input type="checkbox"/> PH2: 347V photo cell <input type="checkbox"/> QS: Quartz lamp socket for external emergency power. <input type="checkbox"/> QRS: Quartz restrike standby relay.
	HPS (ED17) <input type="checkbox"/> H70 <input type="checkbox"/> H100 <input type="checkbox"/> H150 <input type="checkbox"/> * H250 (T15) Mog. base (Lamps by others)	H.I.D. <input type="checkbox"/> 208 V <input type="checkbox"/> 240 V <input type="checkbox"/> 277 V <input type="checkbox"/> 347 V <input type="checkbox"/> 480 V * Lamp operation requires M250 ANSI code M58 H250 ANSI code S50		

Luminaires may be altered for improvements or discontinued without prior notice.



Pole mounting: Please refer to poles specification page 147 for detailed pole and luminaire compatibility.



PLW -1" x 3" extruded aluminum twin short arm mounting adaptor designed for wall installation, with a set of two cast aluminum mounting plates. 4" Dia. vertical tube luminaire support.

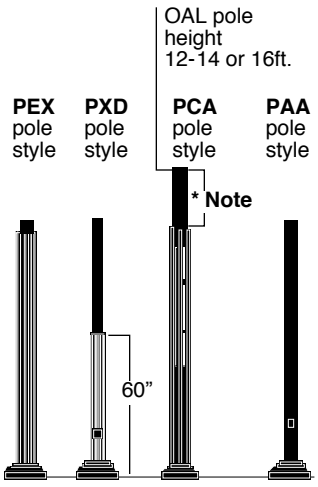
Compatible poles listing.

Post top mounting

Mounting style	4" O.D.	5" O.D.	4" O.D.	4" O.D.	4" O.D.	Pole height
PL15P	PAA414-PL1	PAA514-PL1	PCA14-PL1	PEX14-PL1	PXD14-PL1	14 ft
	PAA416-PL1	PAA516-PL1	PCA16-PL1	PEX16-PL1	PXD16-PL1	16 ft
	PAA418-PL1	PAA518-PL1	PCA18-PL1	PEX18-PL1	PXD18-PL1	18 ft
	PAA420-PL1	PAA520-PL1	PCA20-PL1	PEX420-PL1	PXD20-PL1	20 ft
PL10P	PAA414-PL2	PAA514-PL2	PCA14-PL2	PEX414-PL2	PXD14-PL2	14 ft
	PAA416-PL2	PAA516-PL2	PCA16-PL2	PEX416-PL2	PXD16-PL2	16 ft
	PAA418-PL2	PAA518-PL2	PCA18-PL2	PEX418-PL2	PXD18-PL2	18 ft
	PAA420-PL2	PAA520-PL2	PCA20-PL2	PEX420-PL2	PXD20-PL2	20 ft
PL40P	PAA416-PL4	PAA516-PL4	PCA16-PL2	PEX416-PL4		16 ft
	PAA418-PL4	PAA518-PL4	PCA18-PL2	PEX418-PL4		18 ft
	PAA420-PL4	PAA520-PL4	PCA20-PL2	PEX420-PL4		20 ft
PL30P	PAA410-PL3	PAA510-PL3	PCA14-PL2		PXD10-PL3	10 ft
	PAA412-PL3	PAA512-PL3	PCA16-PL2		PXD12-PL3	12 ft
	PAA414-PL3	PAA514-PL3	PCA18-PL2		PXD14-PL3	14 ft
	PAA416-PL3	PAA516-PL3	PCA20-PL2		PXD16-PL3	16 ft
	PAA418-PL3	PAA518-PL3			PXD18-PL3	18 ft
	PAA420-PL3	PAA520-PL3			PXD20-PL3	20 ft

For poles details and specification, please refer to pages 140 to 144

* Note:
 24" extension with PL30P attachment
 48" extension with PL15P/PL10P attachment
 66" extension with PL40P attachment



luminaires may be altered for design improvements or discontinued without prior notice.