

Specification

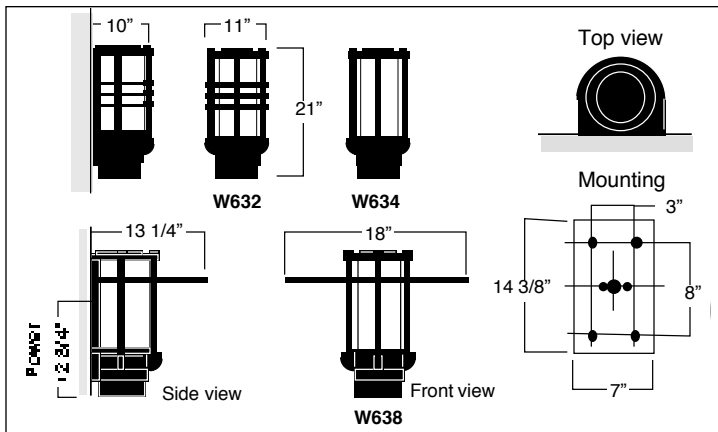
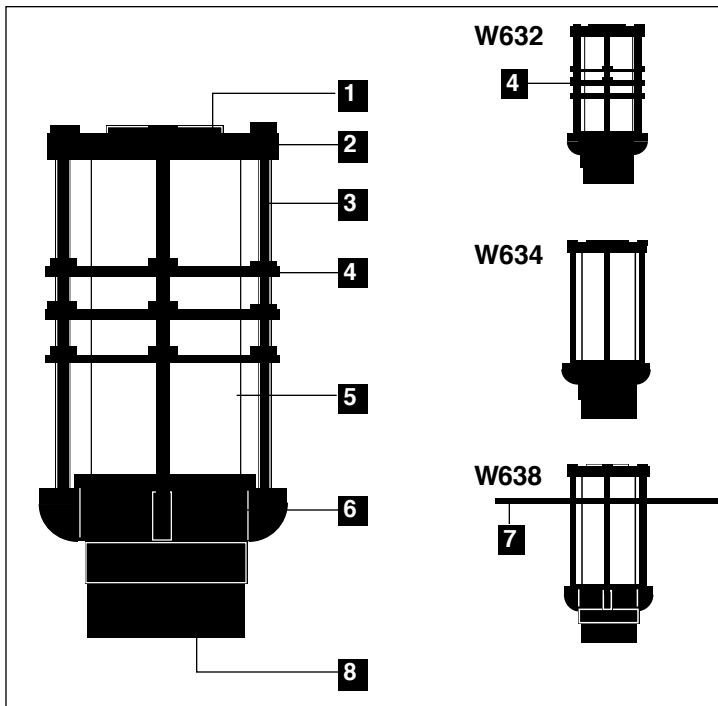
W632 . W634 . W638

All exposed cast aluminum components are made of non corrosive pure aluminum copper free (Aluminum is less than .1% copper content.#356 alloy.) Eclipse is designed to accommodate various lamp sources, and wattage.

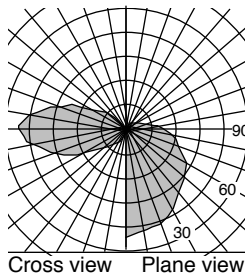
Finish: All polyester powder baked coatings preceded with a 5 baths preparation process. Meets military grade MIL-C781706 with a 2000 hours salt spray test.

- Pulse rated porcelain socket or 75W/600V thermoplastic compact fluorescent socket.
- One-piece molded silicone gasket with memory retention.
- High power factor CWA ballast. Or 98% P.F. electronic smart ballast with end of life detection for compact fluorescent.
- All stainless steel hardware.

- 1- Removable top cover, for quick access to lamp.
- 2- Cast aluminum top sealed cover.
- 3- 1/2" dia. solid aluminum struts.
- 4- W632 only; Set of 3 cast aluminum blades.
- 5- White translucent U.V. protected high impact acrylic diffuser.
- 6- Cast aluminum ballast base housing.
- 7- Removable bottom cover.
- 8- **W638** only: Field adjustable semi oblong aluminum reflector disc.



Photometry



Separate updated technical specification sheets with related models and light sources with I.E.S formatted photometry are available on www.luminis.com.

Certification

UL. Wet Location.

Mounting.

Max. weight: 30 lbs. Installation: Mounts over a standard 4" octagonal box with 3 1/2" c/c mounting holes. Additional mounting holes are provided with wall plate.

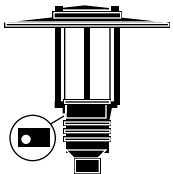
For options details and specifications, please refer to page 42

| Model# | Light source selection | Voltage | Finish | Options |
|---|--|--|--|---|
| <input type="checkbox"/> W632 <input type="checkbox"/> W634 <input type="checkbox"/> W638 | MH (ED17) <input type="checkbox"/> M70 <input type="checkbox"/> M100 HPS (ED17) <input type="checkbox"/> H70 <input type="checkbox"/> H100 INC. (A19) <input type="checkbox"/> A100 (Lamps by others) | 120 V Standard factory prewired (If no voltage is specified) For other voltages, please specify with catalog number. H.I.D. <input type="checkbox"/> 208 V <input type="checkbox"/> 240 V <input type="checkbox"/> 277 V <input type="checkbox"/> 347 V <input type="checkbox"/> 480 V COMP. FLUO. Smart ballast 120/277 <input type="checkbox"/> 347 V (To specify) | (Refer to color chart) Standard selection <input type="checkbox"/> WHT: Snow white <input type="checkbox"/> BKT: Jet black <input type="checkbox"/> BZT: Bronze <input type="checkbox"/> GRT: Titanium gray <input type="checkbox"/> DGT: Gun metal <input type="checkbox"/> CHT: Champagne <input type="checkbox"/> MST: Matte silver <input type="checkbox"/> GNT: Forest green Optional colors <input type="checkbox"/> CS: Custom color <input type="checkbox"/> RAL: RAL# color | Accessories <input type="checkbox"/> DL1: 50W/12V Down light <input type="checkbox"/> DL2: Up light glow <input type="checkbox"/> DLC: Up/down light combination. <input type="checkbox"/> OS: 18" dia. alum. oblong disc Note: DL1 & DLC options are not available when EM42S Electrical <input type="checkbox"/> EM42S: 1 lamp (26/32/42W) EM battery. <input type="checkbox"/> FS: Fuse <input type="checkbox"/> PH1: 120/277V photo cell <input type="checkbox"/> PH2: 347V photo cell <input type="checkbox"/> QS: Standby lamp socket. <input type="checkbox"/> QRS: H.I.D. lamp restrike Note: EM optional battery test switch and pilot lamp are installed remotely. (See page 72) |

Luminaires may be altered for design improvements or discontinued without prior notice.

Push Release button lock

Option: **LB1**



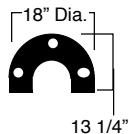
For restricted access.
Locked push button.
Requires 8-32 hexagonal key to release.

General notes:
Please specify selected option as a suffix to luminaire model number.
ex: W614-M100-WHT-LB1
Each model is provided with a listing of compatible options. Some options may not be compatible when used in the same luminaire. Please check listings.

Reflector disc

Option: **OS**

Aluminum oblong reflector disc.
(Factory installed)
Applicable to W632 & W640



House side shield

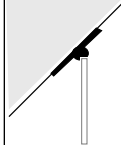
Option:
H2 For post top luminaires
H1 For bollard mount luminaires.



Exterior white enamel, and specular aluminum inner reflective surface.
The shield is inserted and snaps inside the diffuser.
360° on site rotation.

Slope ceiling adaptor

Option: **SW45**



45° hang straight ball swivel for 5/8" dia. suspension stem.

Suspension safety cable

Option: **STC**

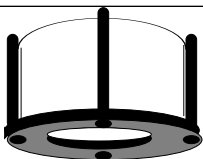
Additional safety cable, extended 12" beyond canopy



Adjustable down light (W780 series)

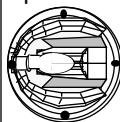
Option: **DL4**

50W / MR16 adjustable down light
Available with 120V power input. For other voltages, please consult factory.
Note: Other down light sources than shown with option DL4 are available. Please consult factory.



Type III reflector

Option: **RF3 / RA3 / RL3 / PR3**



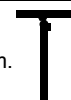
Type III Multifaceted specular reflector.
(Single lamp only.)

Suspension stem



5/8" O.D. suspension stem.

STM60 60" lg.
STM80 80" lg.

For other factory cut to size length add suffix -**STM** with desired length to catalog# max. 120"

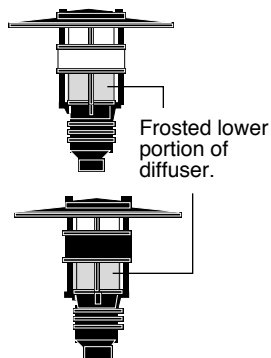


Light distribution control

-  Option: Type III light distribution refractor
R3
-  Option: Type IV light distribution refractor
R4

Semi frosted diffuser

Option: **LF1**



Type IV reflector

Option: **RF4 / RA4 / RL4**



Type IV Forward throw aluminum specular reflector. (Single lamp only.)

Lamps & ballast compatibility

Compact Fluorescent

| Lamp Watts | Lamp base |
|------------|-----------|
| 26W | G24Xq3 |
| 32W | G24Xq3 |
| 42W | G24Xq4 |
| 57W | G24Xq5 |
| 70W | G24Xq6 |
| 85W | 2G8-1 |
| 120W | 2G8-1 |

Metal halide

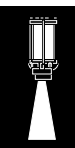
| Lamp Watts | Lamp base | ANSI Code |
|------------|-----------|-----------|
| 39W | T6/G12 | M130 |
| 50W | ED17 | M110/M148 |
| 70W | ED17 | M198/M143 |
| 70W | T6/G12 | M139 |
| 100W | ED17 | M90/M140 |
| 150W | ED17 | M102/M142 |
| 150W | T6/G12 | M142 |
| 175W | ED17 | M57 |

Wall mount light options

Option: **DL1**
DL1-277
12V/50W MR16 Down light with integral 120/12V or 277/12V electronic transformer. other input voltages on request.

Option: **DL2**
Open sealed top cover allowing up-lighting

Option: **DLC**
DL1 / DL2 Combination.



Emergency battery pack

For 57w & 70w: Consult factory

EM42

One lamp:
26w: 450 Lmns.
32w: 575 Lmns.
42w: 750 Lmns.

Time: 90 Mnts -120/277V T 0° C

Please refer to page 72 for more details

Fuse

Option

FS
Ballast protection fuse Available with H.I.D. luminaires only

Note: FS option fuse is factory calibrated and installed with selected wattage.

Post mount luminaires:
FS installed with pole.

All other types:
FS is installed with luminaire.

Light photo sensor

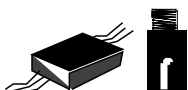
Option: **PH1** -120V
PH2 - 277 / 347V

Photo electric sensor, factory installed with the pole or inside fixture when pole is not required.



Quartz lamp restrike

Option: **QRS**



Quartz restrike standby lamp kit. When power failure is restored, it will energize temporary Quartz lamp with progressive dimming until full H.I.D light output is produced. max.100w DC bayonet type. (Lamp is not included.)
Not Applicable with CFL lamps.

Quartz lamp restrike

Option: **QS**



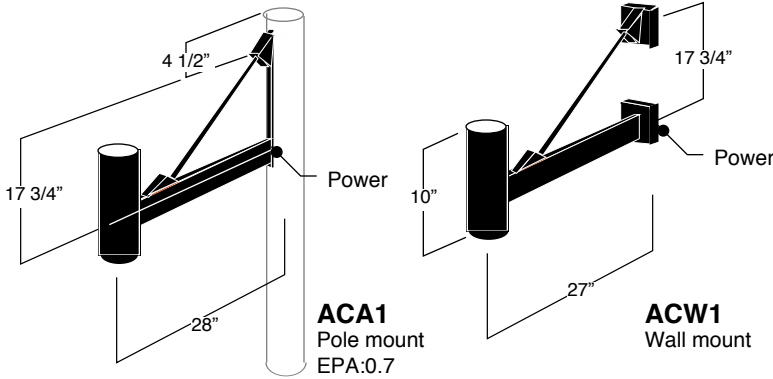
Quartz lamp socket for external 120V emergency power input. Separate 120V dedicated wiring is included. max.100 W DC bayonet type. (Lamp is not included.)
Not Applicable with CFL lamps.

Luminaires may be altered for design improvements or discontinued without prior notice.

LUMINIS [USA] - 3555 NW 53rd Court, Fort Lauderdale, FL.33309
LUMINIS [Canada] - 87 C Brunswick D.D.O. Q.C. Canada H9B 2J5

Tel: 954 .717 .4155 Fax: 954 . 717.4157
Toll free: 888 .401 .6999

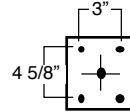
Web: www.luminis.com
Sept. 2006 Rev. Feb.2007



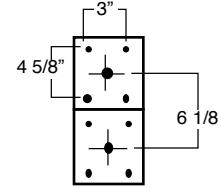
ACA1
Pole mount
EPA:0.7

ACW1
Wall mount

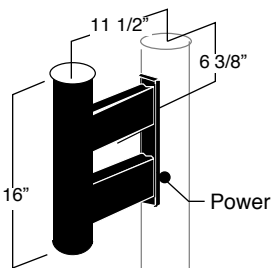
ACW1 series
Mounting



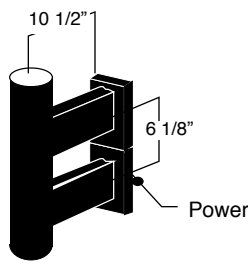
EC3W
EC3WS
series
Mounting



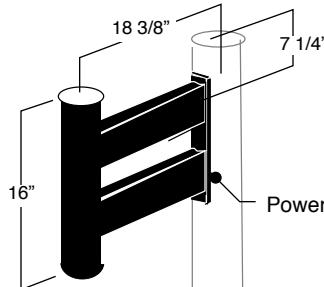
ACA1/ ACW1 -1" x 3" extruded aluminum side pole or wall mounting adaptor. 1/2" dia. stainless steel rod support. 10" x 4" o.dia. aluminum tenon.



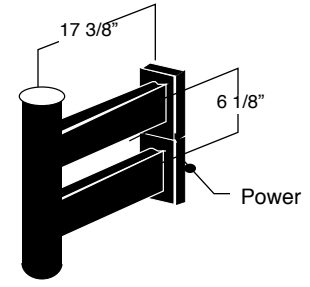
EC3PS -1" x 3" extruded aluminum twin short arm side pole mounting adaptor designed to fit with 4 to 5" dia. poles. 16" lg. X4" o.d. tenon. This option is applicable only to catalog numbers with the suffix **LS** EPA:0.72



EC3WS -1" x 3" extruded aluminum twin short arm mounting adaptor designed for wall installation, with a set of two cast aluminum mounting plates. This option is applicable only to catalog numbers with the suffix **LS**



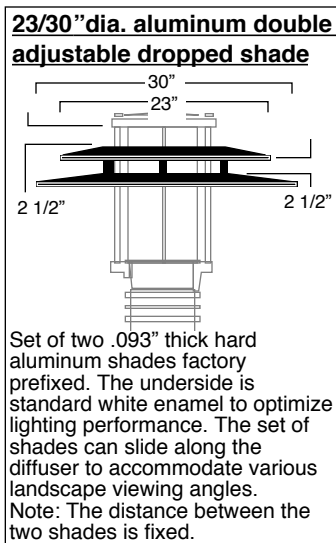
EC3P -1" x 3" extruded aluminum twin extended arm side pole mounting adaptor designed to fit with 4 to 5" dia. poles. 16" lg. X4" o.d. tenon. EPA:0.97



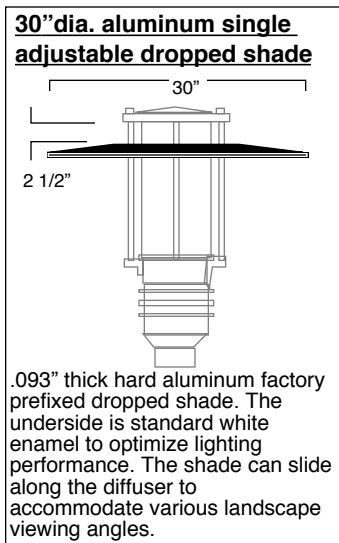
EC3W -1" x 3" extruded aluminum twin extended arm mounting adaptor designed for wall installation, with a set of two cast aluminum mounting plates.

Please specify selected option with a suffix to the specified model number.

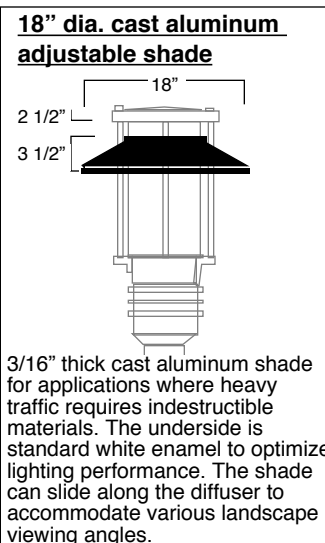
Ex: W624LS-EC3WS-EC5 M100-WHT



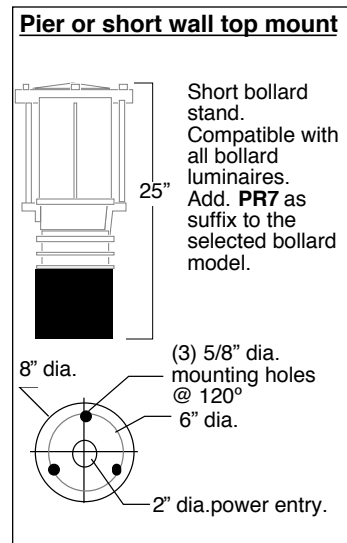
Option: **EC6** EPA:0.44
Compatible with:
ACA1 EC3P
ACW1 EC3W



Option: **EC7** EPA:0.25
Compatible with:
ACA1 EC3P
ACW1 EC3W

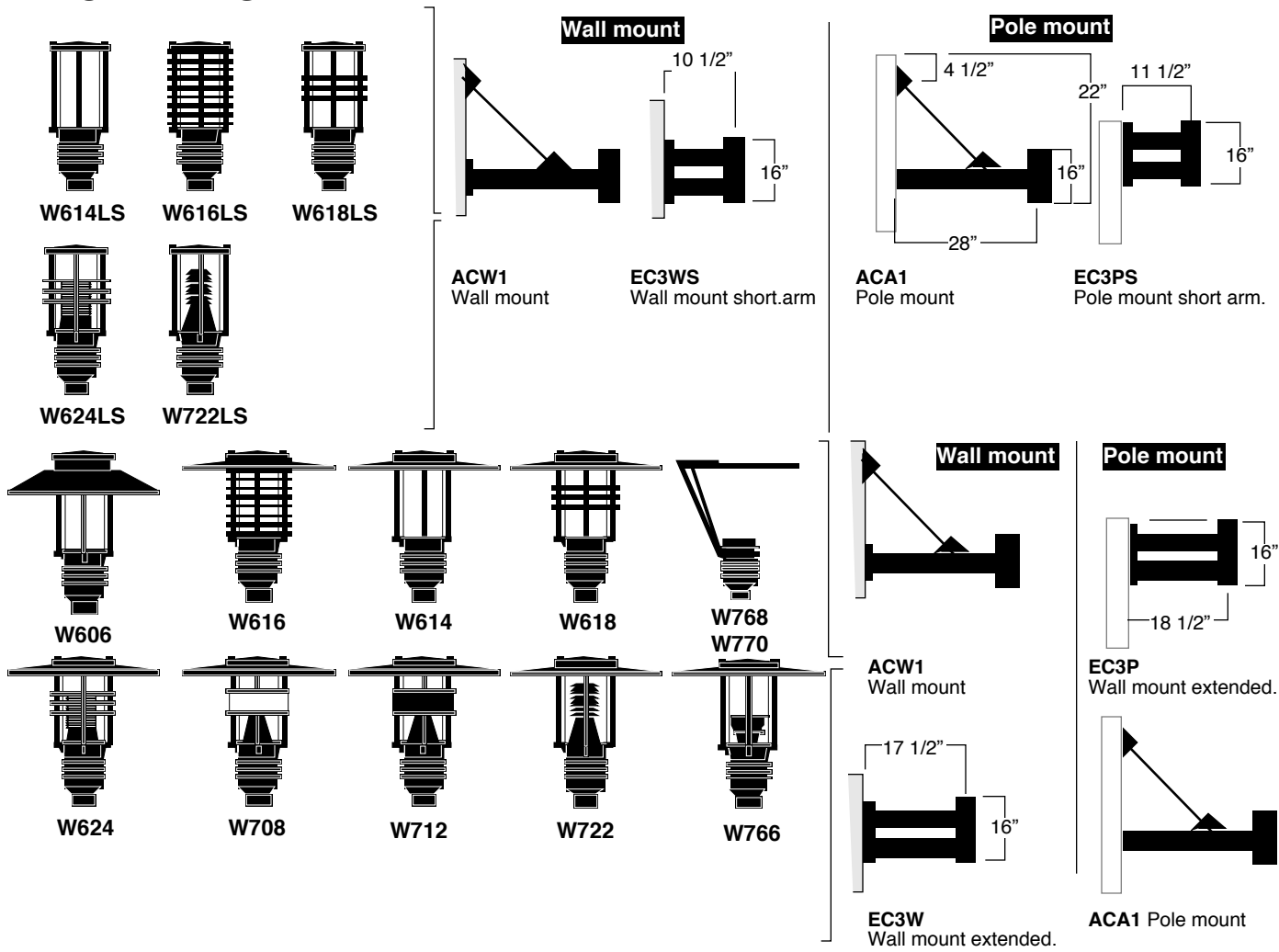


Option: **EC5** EPA:0.26
Compatible with:
ACA1 EC3P EC3PS
ACW1 EC3W EC3WS

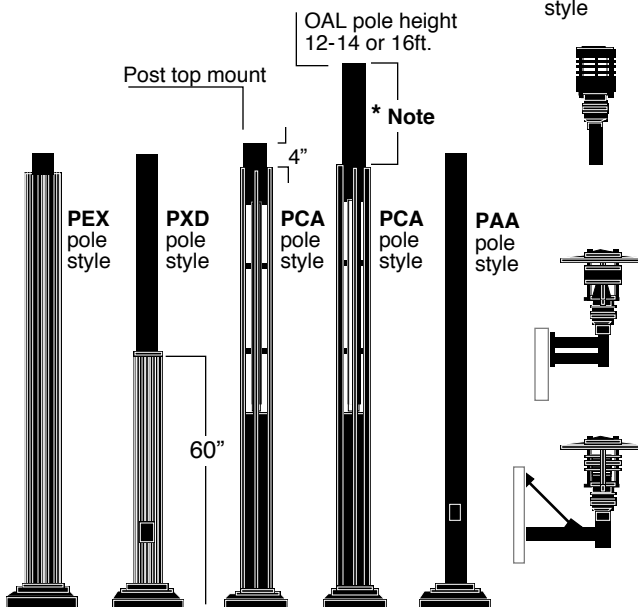


Option: **PR7**
Compatible with:
W788 TO W791 Bollard series.

Luminaires may be altered for design improvements or discontinued without prior notice.



* Note:
36" extension with ACA attachment
24" extension with EC3P attachment



Compatible poles listing.

| | | Post top mounting | | | | Pole height |
|--|------------|-------------------|-----------|-----------|-----------|-------------|
| Mounting style | 4"O.D. | 5"O.D. | 4"O.D. | 4"O.D. | 4"O.D. | |
| | PAA410 | PAA510-A | PCA10 | PEX10 | PXD10 | 10 ft |
| | PAA412 | PAA512-A | PCA12 | PEX12 | PXD12 | 12 ft |
| | PAA414 | PAA514-A | PCA14 | PEX14 | PXD14 | 14 ft |
| | PAA416 | PAA516-A | PCA16 | PEX16 | PXD16 | 16 ft |
| | PAA418 | PAA518-A | | PEX18 | PXD18 | 18 ft |
| | PAA420 | PAA520-A | | PEX20 | PXD20 | 20 ft |
| Post side mount with EC3P attachment accessory | | | | | | |
| | PAA410-C3P | PAA510-C3P | | | | 10 ft |
| | PAA412-C3P | PAA512-C3P | PCA12-C3P | PEX12-C3P | PXD12-C3P | 12 ft |
| | PAA414-C3P | PAA514-C3P | PCA14-C3P | PEX14-C3P | PXD14-C3P | 14 ft |
| | PAA416-C3P | PAA516-C3P | PCA16-C3P | PEX16-C3P | PXD16-C3P | 16 ft |
| | PAA418-C3P | PAA518-C3P | | PEX18-C3P | PXD18-C3P | 18 ft |
| | PAA420-C3P | PAA520-C3P | | | | 20 ft |
| Post side mount with ACA1 attachment accessory | | | | | | |
| | PAA414-ACA | PAA514-ACA | PCA14-ACA | PXD14-ACA | | 14 ft |
| | PAA416-ACA | PAA516-ACA | PCA16-ACA | PXD16-ACA | | 16 ft |
| | PAA418-ACA | PAA518-ACA | | PXD18-ACA | | 18 ft |
| | PAA420-ACA | PAA520-ACA | | PXD20-ACA | | 20 ft |

For poles details and specification, please refer to pages 140 to 144

Luminaires may be altered for design improvements or discontinued without prior notice.