



THE
SPECTRUM
COLLECTION

Soft illumination

**LUMINIS**



THE SPECTRUM COLLECTION

Luminis introduces the Spectrum family of luminaires, designed to respond to various lighting applications where design continuity is desired.

Soft illumination

Spectrum offers multiple solutions using the **latest lighting technologies** and energy controls integrated into a **shallow and sleek design**. Our luminaires provide creative lighting options such as indirect **linear pendant**, shallow **surface ceiling** application or **ADA wall** illumination. Always stylish, your Spectrum luminaire also incorporates **efficient controls** such as **occupancy sensors, daylight harvesting, dimming and egress**.

Delivering soft illumination that is powerful, yet efficient, Spectrum is ideal for offices, board rooms and general-purpose areas of multi-function spaces.



MODELS



STR6404/6408/6412
Linear Pendant



STR620W/630W/640W
Wall ADA



STR625/635/640
Adjustable Wall or Surface Ceiling



STR200
Pendant



STR500/528
Wall Sconce

INTERIOR LIGHTING



LINEAR PENDANT



STR6404
STR6408
STR6412



STR6404/08/12

Spectrum Linear was designed with the objective of glare-free illumination within a sleek and shallow design. Its internal optical system allows optimal up light with a wide batwing distribution pattern.

Ideally suited for office spaces, conference rooms, or any multi-function area where visual appeal and performance is required, Spectrum Linear will deliver a unique look with performance and uniformity.

CONTROLS AND FUNCTIONS

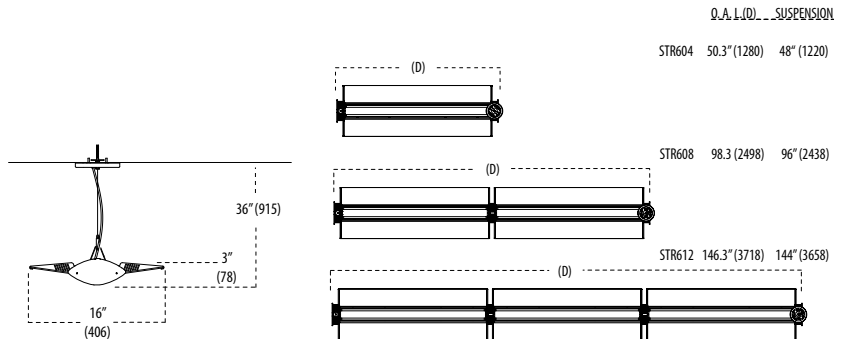
Spectrum Linear was conceived to incorporate some of today's most desired lighting technologies and controls.

Spectrum allow for the installation of integrated controls, saving on operating costs and reducing energy consumption

DIMMING Spectrum is available with dimming options allowing a full range of continuous dimming from 100% down to 1%

OCCUPANCY SENSOR When a room is vacated, occupancy sensors ensure light will be turned off after a programmed delay while ensuring that light stays on while the room is occupied.

DAYLIGHT HARVESTING Spectrum can be equipped with an optional daylight sensor. The device provides automatic dimming based on ambient light levels. Quickly and easily commissionable with a handheld remote control, avoiding complex set ups.



OPTIONS



Detail photo of controls

ELECTRICAL

DS2

2 lamps separate switching for 2FT39 or 2FT54 selection.

DM DIMMING

2X54W T5/HO Dimming ballast Mark X. 50/60Hz. 120V or 277V with EOL protection. Dimming 1-100% Min. start temp. 10°C (50°F). Burn lamps 100Hrs at full output before dimming. (Not compatible with DS2 options)

CONTROLS

MS³

120/277V IR Motion sensor. 400 sq/ft coverage at 8ft mounting height. (For 347V use option MSD)

MSD³

120/277/347V IR Motion sensor for dimming 200 sq/ft coverage at 8ft. mounting height.

DH

Daylight harvesting light level control.

Ultra sonic sensors for areas with obstacles are available on request.

³MS & MSD: Light will be activated with motion within sensor line of site. Time delay adjustment from 30 sec. to 30 mnts.

Separate updated technical specification sheets with related models and light sources with I.E.S formatted photometry are available on: luminis.com

DATA

MATERIALS

The elliptical housing is made of extruded aluminum. Up light reflector is made of high purity specular aluminum with a minimum of 95% reflectivity. Side diffusers are extruded acrylic panels featuring optical micro linear prisms for a diffused downward glow. Stainless steel aircraft suspension cable includes a leveling mechanism to facilitate on-site luminaire adjustment. Ballast is easily accessed by removing the inner reflector.

ELECTRICAL

BALLAST Electronic fluorescent with smart volt feature, 120/277V (347V on request).

Ballasts have a 98% power factor with End of Life protection.

SOCKET Mini Bi-Pin fluorescent T5 thermoplastic lamp holders.

FINISH

Five-stage preparation process including an environmentally friendly alloy sealant. Polyester powder coating is applied through an electrostatic process and oven cured for long-term durability. Choice of 10 standard colors, RAL and custom colors available, please consult factory for availability.

MOUNTING

Spectrum is specifically designed for ease of installation, featuring complete on site levelling and cable length adjustment. Spectrum may be installed with various types of ceilings.

CERTIFICATION

c E.T.L us dry location to UL1598 Standards and CSA-C22.2 No. 250

PHOTOMETRY

STR6404 Photometric Summary

DESCRIPTIVE INFORMATION

PHOTOMETRIC FILENAME STR645.IES

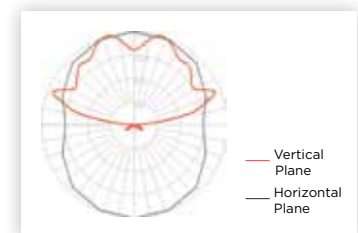
REPORT NO. LSCE671

LUMINAIRE Spectrum Linear Pendant STR6404 (48")

LAMP Two 54W T5HO

TOTAL LAMP LUMENS 8900 LMS (4450/lamp)

EFFICIENCY 68%



LUMINAIRE SELECTION

MODEL# LAMP SELECTION¹

FLUORESCENT
(T5/HO)

STR6404 2FT54 (2X54W)

STR6408 4FT54 (4X54W)

STR6412 6FT54 (6X54W)

¹ Unless otherwise noted, lamps are by others.

LEED
SENSITIVE

LUMINIS
Smart

INTERIOR LIGHTING



WALL



STR620W/30W/40W

Spectrum Wall is an unobtrusive approach to wall or surface ceiling illumination. Extending off the wall by less than 4", the Spectrum wall is **ADA compliant** for areas where glare-free illumination in narrow spaces is required.

Ideally suited for corridors, office spaces, or any multi-function area where visual appeal and performance is required, Spectrum Linear will deliver a unique look with performance and uniformity.

STR620W
STR630W
STR640W



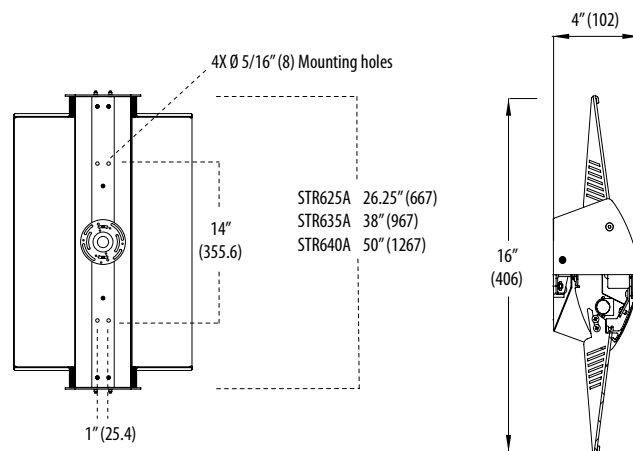
CONTROLS AND FUNCTIONS

Spectrum Linear was conceived to incorporate some of today's most desired lighting technologies and controls.

Spectrum allows for the installation of integrated controls, thus saving on operating costs and reducing energy consumption.

DIMMING Spectrum is available with dimming options allowing a full range of continuous dimming from 100% down to 1%

OCCUPANCY SENSOR When a room is vacated, occupancy sensors ensure light will be turned off after a programmed delay. This also ensures that light stays on while the room is occupied.



OPTIONS



Detail photo

ELECTRICAL

DS2

2 lamps separate switching for 2FT39 or 2FT54 selection

DM DIMMING

2X24W or 2X54W T5/HO Dimming ballast Mark X. 50/60Hz. 120V or 277V with EOL protection. Dimming 5-100% Min. start temp. 10°C (50°F). Burn lamps 100Hrs at full output before dimming. (Not compatible with DS2 options)

Separate updated technical specification sheets with related models and light sources with I.E.S formatted photometry are available on: luminis.com

DATA

MATERIALS

The elliptical housing is made of extruded aluminum. Up light reflector is made of high purity specular aluminum with a minimum of 95% reflectivity. Side diffusers are extruded acrylic panels featuring optical micro linear prisms for a diffused forward glow.

ELECTRICAL

BALLAST Electronic fluorescent with a smart volt feature, 120/277V (347V on request).

Ballasts have a 98% power factor with End of Life protection.

SOCKET Mini Bi-Pin fluorescent T5 thermoplastic lamp holders.

FINISH

Five-stage preparation process including an environmentally friendly alloy sealant.

Polyester powder coating is applied through an electrostatic process and oven cured for long-term durability. Choice of 10 standard colors, RAL and custom colors available, please consult factory for availability.

MOUNTING

Spectrum is specifically designed for **ADA** Compliance.

The luminaire can be installed vertically or horizontally as desired.

CERTIFICATION

c E.T.L us dry location to UL1598 Standards and CSA-C22.2 No. 250

PHOTOMETRY

STR640W Photometric Summary

DESCRIPTIVE INFORMATION

PHOTOMETRIC FILENAME STR640W.IES

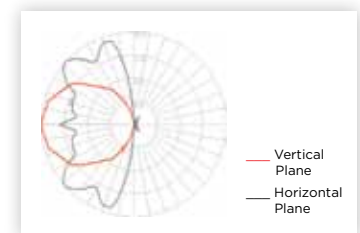
REPORT NO. LSCE674

LUMINAIRE Spectrum Wall ADA STR640W

LAMP Two 54W T5HO

TOTAL LAMP LUMENS 8900 LMS (4450/lamp)

EFFICIENCY 69%



LUMINAIRE SELECTION

MODEL# LAMP SELECTION ¹

FLUORESCENT
(T5/HO)

STR620W 2FT24 (2X24W)

STR630W 2FT39 (2X39W)

STR640W 2FT54 (2X54W)

¹ Unless otherwise noted, lamps are by others.

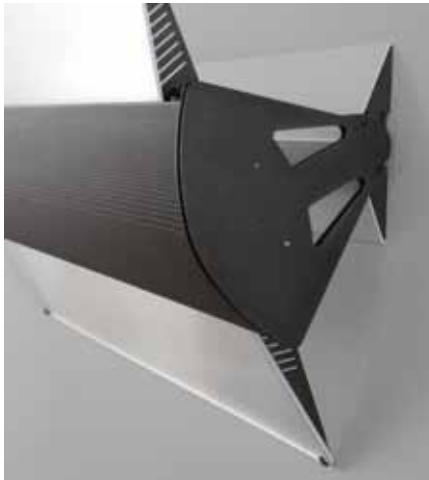
LEED
SENSITIVE

LUMINIS
Smart



STR625/35/40

Spectrum Linear is available as a wall or surface ceiling mount with an adjustable body for directional illumination

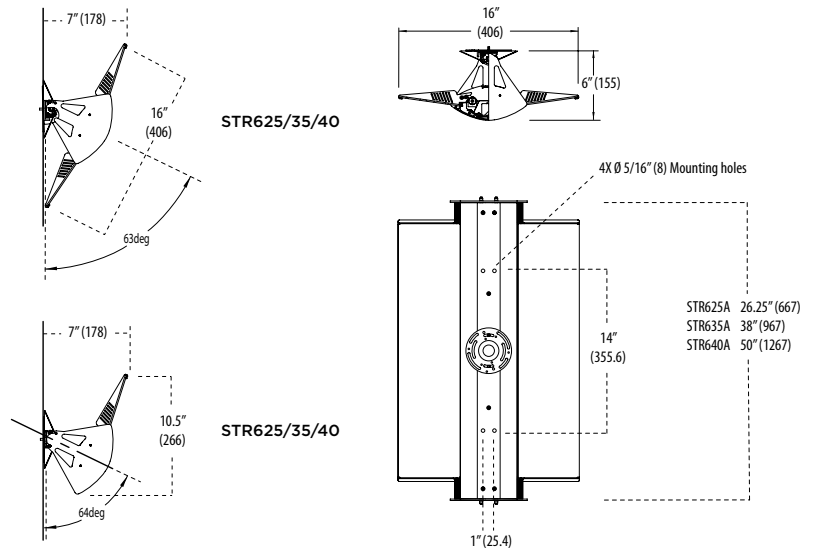
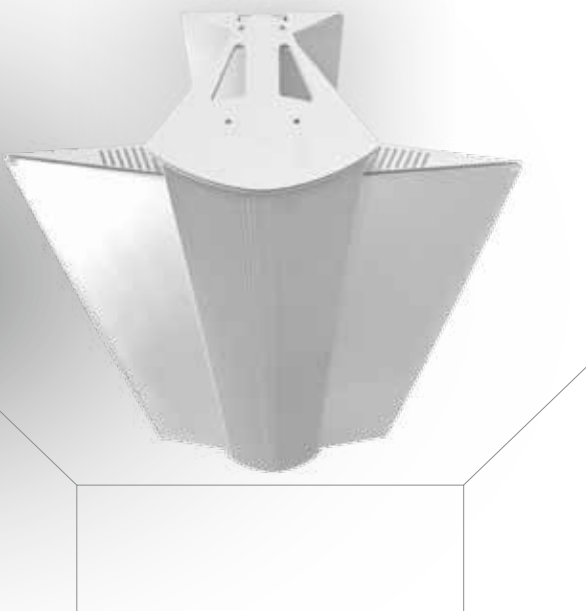


The Spectrum 600 series offers an innovative solution with a shallow luminaire design for surface wall or ceiling mount installations. Equipped with high output T5 lamps, the Spectrum 600 series features prismatic acrylic side panel diffusers.

Also, the Spectrum 600 series is designed as a single luminaire installation to accommodate lighting solutions for offices, corridors, reception areas, conference and meeting areas, and classrooms.

Surface Ceiling
STR625
STR635
STR640

Adjustable Wall mounted
STR625A
STR635A
STR640A



OPTIONS



Detail photo

ELECTRICAL

STR625A SERIES DS2

2 lamps separate switching for
2FT39 or 2FT54 selection

DM DIMMING

2X24W or 2X54W T5/HO Dimming
ballast Mark X, 50/60Hz, 120V or
277V with EOL protection, Dimming
5-100% Min. start temp. 10°C (50°F).
Burn lamps 100Hrs at full output
before dimming.



WALL MOUNTED WITH SINGLE PANEL

STR625S (1 PANEL)
STR635S (1 PANEL)
STR640S (1 PANEL)

Separate updated technical specification
sheets with related models and light sources
with I.E.S formatted photometry are
available on: luminis.com

DATA

CONTROLS AND FUNCTIONS

Spectrum Linear was conceived to incorporate some of today's most desired lighting technologies and controls.

Spectrum allows for the installation of integrated controls, thus saving on operating costs and reducing energy consumption.

DIMMING Spectrum is available with dimming options allowing a full range of continuous dimming from 100% down to 1%

OCCUPANCY SENSOR When a room is vacated, occupancy sensors ensure light will be turned off after a programmed delay. This also ensures that light stays on while the room is occupied.

MATERIALS

The elliptical housing is made of extruded aluminum. Up light reflector is made of high purity specular aluminum with a minimum of 95% reflectivity. Side diffusers are extruded acrylic panels featuring optical micro linear prisms for a diffused downward or forward glow.

ELECTRICAL

BALLAST Electronic fluorescent with a smart volt feature, 120/277V (347V on request). Ballasts have a 98% power factor with End of Life protection.

SOCKET Mini Bi-Pin fluorescent T5 thermoplastic lamp holders.

FINISH

Five-stage preparation process including an environmentally friendly alloy sealant. Polyester powder coating is applied through an electrostatic process and oven cured for long-term durability. Choice of 10 standard colors, RAL and custom colors available, please consult factory for availability.

MOUNTING

STR625/35/40 is designed for surface ceiling applications.

STR625A/35A/40A is designed for wall mounting applications with up and general diffused light. The luminaire is locked in tilted position and can be unlocked for maintenance.

STR625S/35S/40S is designed for wall mounting applications with down and up general diffused light. The luminaire is locked in tilted position and can be unlocked for maintenance.

CERTIFICATION

c E.T.L us dry location to UL1598 Standards and CSA-C22.2 No. 250

PHOTOMETRY

STR640A/ STR640S Photometric Summary

DESCRIPTIVE INFORMATION

PHOTOMETRIC FILENAME STR640A.IES and STR640S.IES

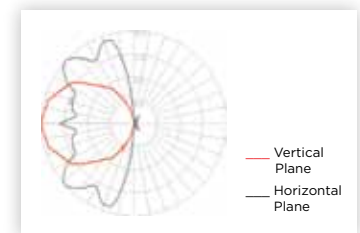
REPORT NO. LSCE674

LUMINAIRE Spectrum Surface Ceilinging or Wall STR640

LAMP Two 54W T5HO

TOTAL LAMP LUMENS 8900 LMS (4450/lamp)

EFFICIENCY 69%



LUMINAIRE SELECTION

MODEL# LAMP SELECTION ¹

FLUORESCENT
(T5/HO)

SURFACE CEILING

STR625 2FT24 (2X24W)
STR635 2FT39 (2X39W)
STR640 2FT54 (2X54W)

WALL MOUNTED

STR625A 2FT24 (2X24W)
STR635A 2FT39 (2X39W)
STR640A 2FT54 (2X54W)

WALL MOUNTED (SINGLE PANEL)

STR625S (1 PANEL) 2FT24 (2X24W)
STR635S (1 PANEL) 2FT39 (2X39W)
STR640S (1 PANEL) 2FT54 (2X54W)

¹ Unless otherwise noted, lamps are by others.



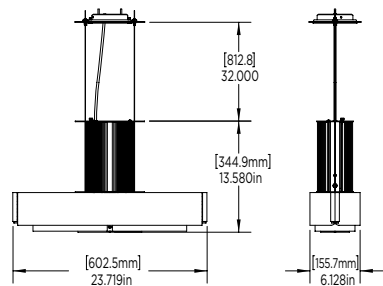
STR200

Spectrum STR200 is designed for general soft illumination. The saying that “form follows function” is well served with the STR200 Spectrum series, which was conceived specifically for CFL light sources.

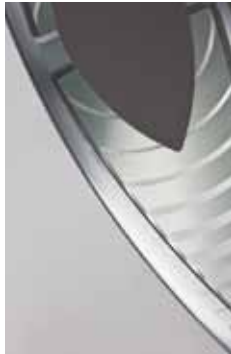
Elliptically shaped to provide a decorative and functional lighting solution for spaces such as hallways, for accenting a particular area or for any other linear spaces where a combination of direct and indirect lighting is desired.

The up and down light provides visual lighting comfort with a set of compact fluorescent lamps positioned along the elliptical luminaire shape.

STR200



OPTIONS



Detail photo

MOUNTING

CL SUSPENSION

Longer suspension cable with power cord. 36" (914) lg. and higher. (Please specify length)

STC

36" (914) lg. Seismic cable attached to mounting plate mounted to building structure.

ELECTRICAL

DS1 DUAL SWITCH

2 circuit switching separate lamp control (External switch.)

EMERGENCY BATTERY

EM

1 lamp (26/32/42/57W) Emergency ballast battery back up. Integral test switch. Consult separate specification sheet for additional dimming explanations.

Time: 90 Mnts -120/277V / T 0° C
Luminaire O.A.H is 13" (330)

DIMMING

DM2

2X26W dimming

DM3

2X32/42W dimming

DM4

2X57W dimming

MARK X dimming ballast

Dimming: 5-100%.

See specification sheets for additional details.

Separate updated technical specification sheets with related models and light sources with I.E.S formatted photometry are available on: luminis.com

DATA

MATERIALS

The elliptical housing is made of formed aluminum. Stainless steel aircraft suspension cable includes a leveling mechanism to facilitate on-site luminaire adjustment. Diffused lens is tempered glass with a microprism design and etched pattern to eliminate lamp image. Ballast is easily accessible via a tilt access panel on the ballast housing.

ELECTRICAL

BALLAST Electronic ballasts for CFL with universal voltage 120V/277V (347V on request) with a .99 power factor, and End of Life protection with a minimum starting temperature of 0°F (-18°C).

SOCKET Lamp holders are thermoplastic body rated for 75W-600V.

FINISH

Five-stage preparation process including an environmentally friendly alloy sealant. Polyester powder coating is applied through an electrostatic process and oven cured for long-term durability. Choice of 10 standard colors, RAL and custom colors available, please consult factory for availability.

MOUNTING

Mounts over a standard 4" (100) octagonal box with 3-1/2" (89) c/c mounting holes.

CERTIFICATION

c E.T.L us dry location to UL1598 Standards and CSA-C22.2 No. 250

PHOTOMETRY

STR200 Photometric Summary

DESCRIPTIVE INFORMATION

PHOTOMETRIC FILENAME STR200-F242.IES

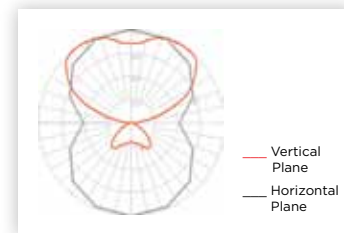
REPORT NO. LSC D390

LUMINAIRE Spectrum Pendant STR200

LAMP Two (2) 42W Triple-Tube CFL Lamps

TOTAL LAMP LUMENS 6400 LMS (3200/lamp)

EFFICIENCY 55.70%



LUMINAIRE SELECTION

MODEL#	LAMP SELECTION ¹
	COMPACT FLUORESCENT (Gx24q lamp base)

STR200	F226 (2X26W)
	F232 (2X32W)
	F242 (2X42W)
	F257 (2X57W)

¹ Unless otherwise noted, lamps are by others.

LEED
SENSITIVE

LUMINIS
Smart

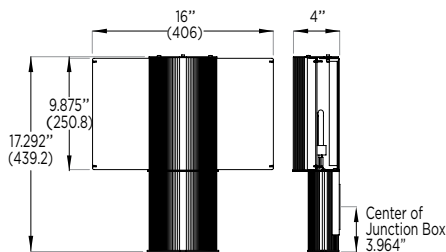


STR500/28

This wall-mounted luminaire is designed for **ADA compliance** and provides wall illumination with low brightness.

Geometrically shaped to blend with numerous architectural environments, Spectrum is an efficient and functional luminaire. Discrete and unobtrusive, the Spectrum 500 series may be coupled with other luminaires from the Spectrum family, offering a harmonious collection for styling and lighting design coordination.

STR500
STR528



OPTIONS



Detail photo

ELECTRICAL

- DM1**
1x26/32/42W dimming
- DM3**
1x57W dimming
- DM6**
1x18W dimming

See specification sheets for additional details.

Separate updated technical specification sheets with related models and light sources with I.E.S formatted photometry are available on: luminis.com

DATA

MATERIALS

Elliptical housing is made of extruded aluminum with removable bottom cover for ease of ballast maintenance. Side diffusers are acrylic with optical micro linear prisms for a diffused front glow. White enamel inner reflector for a soft light diffusion.

ELECTRICAL

CFL BALLAST Electronic ballasts for CFL with universal voltage 120V/277V (347V on request) with a .99 power factor.

SOCKET CFL Lamp holders are thermoplastic body rated for 75W-600V. GX24q

LED POWER SUPPLY LED/DC 120VAC Power supply. LED light engine included. 18W power input.

FINISH

Five-stage preparation process including an environmentally friendly alloy sealant. Polyester powder coating is applied through an electrostatic process and oven cured for long-term durability. Choice of 10 standard colors, RAL and custom colors available, please consult factory for availability.

MOUNTING

Mounts over a standard 4" (100) octagonal box with 3-1/2" (89) c/c mounting holes.

CERTIFICATION

c E.T.L us dry location to UL1598 Standards and CSA-C22.2 No. 250

PHOTOMETRY

STR500 Photometric Summary

DESCRIPTIVE INFORMATION (FROM PHOTOMETRIC FILE)

PHOTOMETRIC FILENAME STR500.IES

REPORT NO. LSCE675

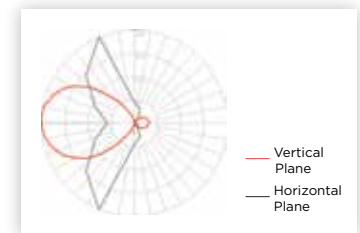
LUMINAIRE Spectrum Wall Sconce STR500

LAMP 8 Luxeon Rebel 4100K

TOTAL LAMP LUMENS 686 LMS

LUMINAIRE WATT 14.88W

EFFICIENCY 46 Lumens/Watt



LUMINAIRE SELECTION

LAMP SELECTION ¹

MODEL#	COMPACT FLUORESCENT STR500	LED STR528
F118		LD8
F126		(Set of 8 LED)
F132		LED: PCB & optical lenses
F142		are included with luminaire.
F157		Color range 3500/4000°K

¹ Unless otherwise noted, lamps are by others.

LEED
SENSITIVE

LUMINIS
Smart





THE SPECTRUM COLLECTION

Soft illumination



USA 3555 NW 53rd Court, Fort Lauderdale, FL 33309 **T** 954.717.4155 1.888.401.6999 **F** 954.717.4157
CANADA 260, rue Labrosse, Pointe-Claire (Québec) CANADA H9R 5L5 **T** 514.683.3883 **F** 514.683-8872

luminis.com
info@luminis.com


LUMINIS