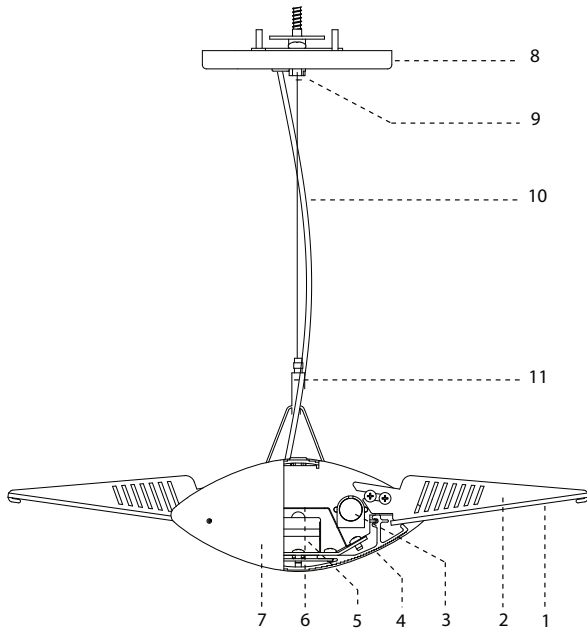


TYPE:	QUANTITY:	PROJECT:				
CATALOG NUMBER:	FIXTURE	WATTAGE	VOLTAGE	FINISH	OPTION	OPTION

STR6404  
STR6408  
STR6412



- 1- Micro linear prismatic acrylic diffuser panels.
- 2- Diffuser end plate holders.
- 3- Mini bi-pin thermoplastic T5/HO lamp holders.
- 4- Extruded aluminum elliptical housing.
- 5-  $\geq$  95% reflectivity pure aluminum reflector.
- 6- HO 120/277V smart electronic ballast with EOL detection. 347V on request.
- 7- End plate cover.
- 8- 5" (127) dia. canopy.
- 9- Cable suspension ceiling coupler.
- 10- 4/18 silver braided power cable.
- 11- Cable stabilizer levelling coupler.

## MATERIALS

The elliptical housing is made of extruded aluminum. Up light reflector is made of high purity specular aluminum with a minimum of 95% reflectivity. Side diffusers are extruded acrylic panels featuring optical micro linear prisms for a diffused downward glow. White enamel inner reflector for a soft light diffusion towards the front. Stainless steel aircraft suspension cable includes a leveling mechanism to facilitate on-site luminaire adjustment. Ballast is easily accessed by removing the inner reflector.

## ELECTRICAL

### BALLAST

T5/HO Electronic fluorescent with a smart volt feature, 120/277V (347V on request). Ballasts have a 98% power factor with End of Life protection.

### SOCKET

Mini Bi-Pin fluorescent T5 thermoplastic lamp holders.

## FINISH

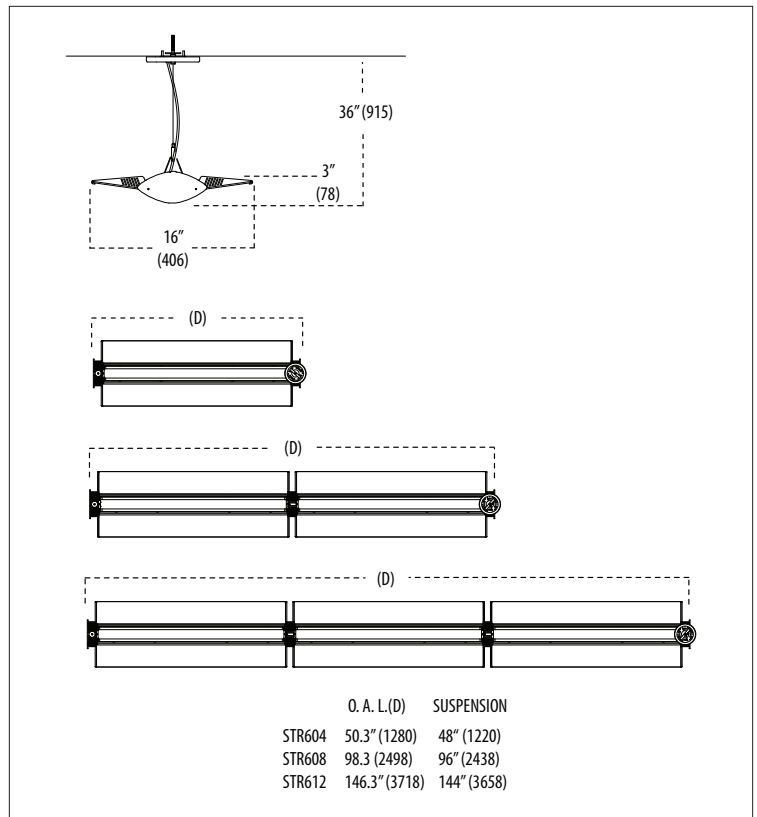
Five-stage preparation process including an environmentally friendly alloy sealant. Polyester powder coating is applied through an electrostatic process and oven cured for long-term durability. Choice of 10 standard colors, RAL and custom colors available, please consult factory for availability.

## MOUNTING

Spectrum is specifically designed ease of installation, featuring complete levelling and cable length adjustment on site. Spectrum may be installed with various types of ceilings.

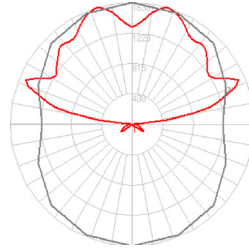
## CERTIFICATION

c E.T.L us dry location to UL1598 Standards and CSA-C22.2 No. 250



## PHOTOMETRY

Please visit our web site [www.luminis.com](http://www.luminis.com) for complete I.E.S formatted download data.



— Vertical Plane      — Horizontal Plane

### STR6404 PHOTOMETRIC SUMMARY

#### Descriptive Information

**Photometric Filename:** STR645.IES  
**Report No.:** LSCE671  
**Luminaire:** Spectrum Linear Pendant STR6404 (48")  
**Lamp:** Two 54W T5HO  
**Total Lamp Lumens:** 8900 LMS (4450/lamp)  
**Efficiency:** 68%

Luminance Data (cd/sq.m)

Angle in Degrees	Average 0-Deg	Average 45-Deg	Average 90-Deg
45	0	0	49
55	0	348	849
65	39	433	940
75	0	405	931
85	0	319	726

Zonal Lumen Summary

Zone	Lumens	%Lamp	%Fixt
0-30	1.86	0.00	0.00
0-40	1.88	0.00	0.00
0-60	63.76	0.70	1.00
0-90	190.45	2.10	3.10
90-120	2045.52	23.00	33.60
90-130	2955.74	33.20	48.50
90-150	4691.21	52.70	77.00
90-180	5900.94	66.30	96.90
0-180	6091.39	68.40	100.00

Candlepower Summary

Vertical Angle	Horizontal Angle				
	0°	22.5°	45°	67.5°	90°
0	7	7	7	7	7
5	13	12	12	13	14
10	11	11	11	13	13
25	12	12	14	16	16
40	0	0	0	1	3
55	0	16	121	283	354
70	14	108	389	725	865
85	1	32	180	335	401
90	0	4	22	43	52
120	2905	5688	9044	11372	12115
150	10026	13448	14709	15753	16247
180	14640	16060	17356	17889	18053

Coefficients of Utilization - Zonal Cavity Method  
 Effective Floor Cavity Reflectance 0.20

RC	80				70				50				30				10				0
	70	50	30	10	70	50	30	10	50	30	10	50	30	10	50	30	10	50	30	10	0
0	66	66	66	66	56	56	56	56	39	39	39	23	23	23	9	9	9	9	9	9	2
1	60	57	54	52	51	49	47	45	34	33	31	20	20	19	8	7	7	7	7	7	1
2	54	49	45	42	46	42	39	36	29	27	26	17	16	15	6	6	6	6	6	6	1
3	49	43	38	35	42	37	33	30	26	23	21	15	14	13	6	5	5	5	5	5	1
4	45	38	33	29	38	33	28	25	23	20	18	13	12	11	5	4	4	4	4	4	0
5	41	33	28	25	35	29	25	21	20	17	15	12	10	9	4	4	3	3	3	3	0
6	37	30	25	21	32	26	21	18	18	15	13	11	9	8	4	3	3	3	3	3	0
7	34	27	22	18	29	23	19	16	16	13	11	10	8	7	3	3	2	2	2	2	0
8	32	24	19	16	27	21	17	14	14	12	10	9	7	6	3	2	2	2	2	2	0
9	29	22	17	14	25	19	15	12	13	10	9	8	6	5	3	2	2	2	2	2	0
10	27	20	15	12	23	17	13	11	12	9	8	7	6	5	3	2	2	2	2	2	0



## LUMINAIRE SELECTION

MODEL#	LAMP SELECTION <sup>1</sup>	VOLTAGE	FINISH	FINISH
<input type="checkbox"/> STR6404 <input type="checkbox"/> STR6408 <input type="checkbox"/> STR6412	<b>FLUORESCENT</b> (T5/HO) <input type="checkbox"/> 2FT54 2X54W <input type="checkbox"/> 4FT54 4X54W <input type="checkbox"/> 6FT54 6X54W	<input type="checkbox"/> 120 V <sup>2</sup> <input type="checkbox"/> 277 V <input type="checkbox"/> 347 V	<b>STANDARD COLORS</b> <input type="checkbox"/> WHT: Snow white <input type="checkbox"/> BKT: Jet black <input type="checkbox"/> BZT: Bronze <input type="checkbox"/> MST: Matte silver <input type="checkbox"/> GRT: Titanium gray <input type="checkbox"/> DGT: Gun metal <input type="checkbox"/> CHT: Champagne	<b>OPTIONAL COLORS</b> <input type="checkbox"/> CS: Custom color <input type="checkbox"/> RAL: RAL# color (Refer to color chart)

## OPTIONS

### ELECTRICAL

DS2

2 lamps separate switching for 2FT39 or 2FT54 selection

DM Dimming

2X54W T5/HO Dimming ballast Mark X. 50/60Hz. 120V or 277V with EOL protection. Dimming 1-100% Min. start temp. 10°C (50°F). Burn lamps 100Hrs at full output before dimming. (Not compatible with DS2 options)

### CONTROLS

MS <sup>3</sup> 120/277V IR Motion sensor. 400 sq/ft coverage at 8ft mounting height. (For 347V use option MSD)

MSD <sup>3</sup> 120/277/347V IR Motion sensor for dimming 200 sq/ft coverage at 8ft mounting height.

DH Daylight harvesting light level control

Ultra sonic sensors for areas with obstacles are available on request.

### NOTES

- 1- Unless otherwise noted, lamps are by others.
- 2- Luminaires are factory prewired for 120V (if no voltage is specified.)
- 3- MS & MSD: Light will be activated with motion within sensor line of site. Time delay adjustment from 30 sec. to 30 mnts.

