





Post Top Single Indirect

76



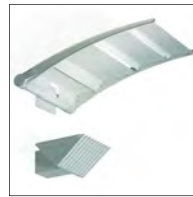
Post Top Twin Indirect

78



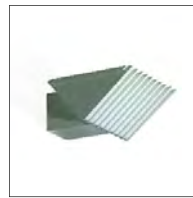
Post Top Quad Indirect

80



Wall Indirect

82



Wall Up/Down Light

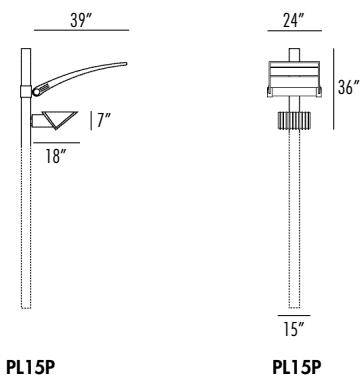
84

*Project: Mitch McConnell Riverwalk and Plaza.
Photo: Courtesy of EDSA*



PL15P

Pelican is a unique and fresh new approach to our visual lighting environment, with a glare free and soft illumination concept. Pelican is an ideal luminaire for pedestrian areas in urban spaces and all other lighting applications seeking for new lighting solutions. Efficient, Pelican performs unequalled lighting results with the use of four exclusive reflector panels, specifically positioned for optimal distribution. Visual comfort is achieved with a special polyester white enamel coating applied to the reflector panels on both surfaces. The reflector assembly is secured with two cast aluminum arms, allowing a tilting and sliding action along the pole extension.



DATA

MATERIALS

Pelican components are made of copper free and non-corrosive materials. The white enamel reflector assembly is composed of four aluminum panels, factory set for precise lighting distribution, with a set of two cast aluminum arms secured to the pole by means of a cast aluminum tilting mechanism allowing up to 15 degrees in two directions. The entire assembly may slide along the pole with an external aluminum sleeve retained in position with locking set screws. The luminaire sealed body is made of cast aluminum with a flush lens mount, keeping the clear tempered glass lens free of dust and debris. The sliding and tilting cast aluminum mechanism includes locking dents and hardware to secure the reflector assembly in its desired position. The ballast is enclosed in the pole arm support housing, and easily accessible with a tray and quick disconnect assembly.

ELECTRICAL

HIGH INTENSITY DISCHARGE (H.I.D)

BALLAST Core and coil HPF with a min. starting temperature of -40°F (-40°C).

SOCKET Medium or mogul base pulse rated 4KV porcelain body with a nickel-plated screw shell and a center contact rated 600V. Supplied with 200°C leads.

FINISH

Five-stage preparation process including preheating of cast parts for air pocket extraction and an environmentally friendly alloy sealant. Polyester powder coating is applied through an electrostatic process and oven cured for long-term durability against harsh weather treatments.

MOUNTING

For pole selection and higher EPA ratings, refer to our separate pole section for proper pole/fixture match. EPA: 2.85

CERTIFICATION

Tested to UL1598 standards, cULus listed wet location.

PELICAN	METAL HALIDE					HIGH PRESSURE SODIUM			
SUFFIX	M70	M100	M150	M175	M250	H70	H100	H150	H250
SOURCE	70W ED17	100W ED17	150W ED17	175W ED17	250W ET18/ED18	70W ED17	100W ED17	150W ED17	250W ET18/ED18
PL15P	•	•	•	•	•	•	•	•	•
OPTIONS	Photo cell [PH1] :: 120v [PH2] 277-347v								

Please refer to detailed specification sheet for further information and additional options

www.luminis.com



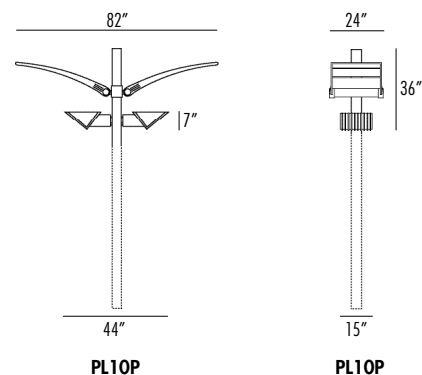
PL10P

As a twin mount version, Pelican presents a unique and fresh approach to our visual lighting environment, with a glare free and soft illumination concept. Pelican is an ideal luminaire for pedestrian areas in urban spaces, parking spaces, and multiple areas where uniformity and glare free lighting is required with performance. Efficient, Pelican performs unequalled lighting results with the use of four exclusive reflector panels, specifically positioned for optimal distribution. Visual comfort is achieved with a special polyester white enamel coating applied to the reflector panels on both surfaces. The twin reflector assemblies are independently secured with two cast aluminum arms, allowing an individual tilting action. A common sleeve allows the twin reflectors to slide along the pole extension.

Pelican twin assembly may be factory modified to accommodate a bi-level installation for vehicle and pedestrian traffic.

Add suffix -OFF and submit dimensions. Consult factory for further details.

Projet: Mitch McConnell Riverwalk and Plaza. Photo: Courtesy of EDSA



D A T A

MATERIALS

Pelican components are made of copper free and non-corrosive materials. The white enamel reflector assembly is composed of four aluminum panels, factory set for precise lighting distribution, with a set of two cast aluminum arms secured to the pole by means of a cast aluminum tilting mechanism allowing up to 15 degrees in two directions. The entire assembly may slide along the pole with an external aluminum sleeve retained in position with locking set screws. The luminaire sealed body is made of cast aluminum with a flush lens mount, keeping the clear tempered glass lens free of dust and debris. The sliding and tilting cast aluminum mechanism includes locking dents and hardware to secure the reflector assembly in its desired position. The ballast is enclosed in the pole arm support housing, and easily accessible with a tray and quick disconnect assembly.

ELECTRICAL

HIGH INTENSITY DISCHARGE (H.I.D)
BALLAST Core and coil HPF with a min. starting temperature of -40°F (-40°C).
SOCKET Medium or mogul base pulse rated 4KV porcelain body with a nickel-plated screw shell and a center contact rated 600V. Supplied with 200°C leads.



FINISH

Five-stage preparation process including preheating of cast parts for air pocket extraction and an environmentally friendly alloy sealant. Polyester powder coating is applied through an electrostatic process and oven cured for long-term durability against harsh weather treatments.

MOUNTING

For pole selection and higher EPA ratings, refer to our separate pole section for proper pole/fixture match. EPA: 5.5

CERTIFICATION

Tested to UL1598 standards, cULus listed wet location.

PELICAN	METAL HALIDE					HIGH PRESSURE SODIUM			
SUFFIX	M70	M100	M150	M175	M250	H70	H100	H150	H250
SOURCE	70W ED17	100W ED17	150W ED17	175W ED17	250W ET18/ED18	70W ED17	100W ED17	150W ED17	250W ET18/ED18
PL10P	•	•	•	•	•	•	•	•	•
OPTIONS	Photo cell [PH1] :: 120v [PH2] 277-347v								

Please refer to detailed specification sheet for further information and additional options

www.luminis.com

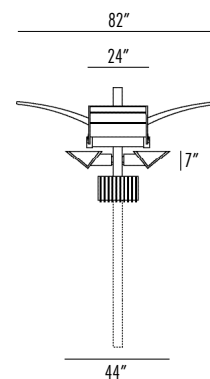


PL40P

As a quad mount version, Pelican presents a unique and fresh approach to our visual lighting environment, with a glare free and soft illumination concept. Pelican is an ideal luminaire for pedestrian areas in urban spaces, Building perimeter lighting, and multiple areas where uniformity and glare free lighting is required with performance.

Efficient, Pelican performs unequalled lighting results with the use of four exclusive reflector panels, specifically positioned for optimal distribution.

Visual comfort is achieved with a special polyester white enamel coating applied to the reflector panels on both surfaces. The twin reflector assemblies are independently secured with two cast aluminum arms, allowing a tilting individual action.



PL40P

DATA

MATERIALS

Pelican components are made of copper free and non-corrosive materials. The white enamel reflector assembly is composed of four aluminum panels, factory set for precise lighting distribution, with a set of two cast aluminum arms secured to the pole by means of a cast aluminum tilting mechanism allowing up to 15 degrees in two directions. The entire assembly may slide along the pole with an external aluminum sleeve retained in position with locking set screws. The luminaire sealed body is made of cast aluminum with a flush lens mount, keeping the clear tempered glass lens free of dust and debris. The sliding and tilting cast aluminum mechanism includes locking dents and hardware to secure the reflector assembly in its desired position. The ballast is enclosed in the pole arm support housing, and easily accessible with a tray and quick disconnect assembly.

ELECTRICAL

HIGH INTENSITY DISCHARGE (H.I.D)

BALLAST Core and coil HPF with a min. starting temperature of -40°F (-40°C).

SOCKET Medium or mogul base pulse rated 4KV porcelain body with a nickel-plated screw shell and a center contact rated 600V. Supplied with 200°C leads.

FINISH

Five-stage preparation process including preheating of cast parts for air pocket extraction and an environmentally friendly alloy sealant. Polyester powder coating is applied through an electrostatic process and oven cured for long-term durability against harsh weather treatments.

MOUNTING

For pole selection and higher EPA ratings, refer to our separate pole section for proper pole/fixture match. EPA: 9.85

CERTIFICATION

Tested to UL1598 standards, cULus listed wet location.

PELICAN	METAL HALIDE					HIGH PRESSURE SODIUM			
SUFFIX	M70	M100	M150	M175	M250	H70	H100	H150	H250
SOURCE	70W ED17	100W ED17	150W ED17	175W ED17	250W ET18/ED18	70W ED17	100W ED17	150W ED17	250W ET18/ED18
PL40P	•	•	•	•	•	•	•	•	•
OPTIONS	Photo cell [PH1] :: 120v [PH2] 277-347v								

Please refer to detailed specification sheet for further information and additional options

www.luminis.com

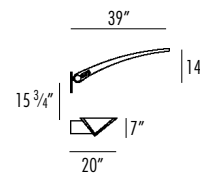


PL20W

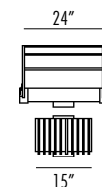
The Pelican wall mounted version is a new approach to pathway lighting with a glare free and soft illumination while up lighting effect is created over the wall surface. Pelican is an ideal luminaire for pedestrian areas in urban spaces, parking spaces, shopping centers, and multiple areas where uniformity and glare free lighting is required with performance.

Efficient, Pelican performs unequalled lighting results with the use of four exclusive reflector panels, specifically positioned for optimal distribution. Visual comfort is achieved with a special polyester white enamel coating applied to the reflector panels on both surfaces.

The reflector assembly is independent from the luminaire body allowing creating the desired light pattern for wall of general area lighting.



PL20W



PL20W

DATA

MATERIALS

Pelican components are made of copper free and non-corrosive materials. The white enamel reflector assembly is composed of four aluminum panels, factory set for precise lighting distribution, with a set of two cast aluminum arms secured to the wall by means of a cast aluminum tilting mechanism allowing up to 15 degrees in two directions. The luminaire sealed body is made of cast aluminum with a flush lens mount, keeping the clear tempered glass lens free of dust and debris. The tilting cast aluminum mechanism includes locking dents and hardware to secure the reflector assembly in its desired position. The ballast is enclosed in the pole arm support housing, and easily accessible with a tray and quick disconnect assembly.

ELECTRICAL

HIGH INTENSITY DISCHARGE (H.I.D)

BALLAST Core and coil HPF with a min. starting temperature of -40°F (-40°C).

SOCKET Medium or mogul base pulse rated 4KV porcelain body with a nickel-plated screw shell and a center contact rated 600V. Supplied with 200°C leads.

FINISH

Five-stage preparation process including preheating of cast parts for air pocket extraction and an environmentally friendly alloy sealant. Polyester powder coating is applied through an electrostatic process and oven cured for long-term durability against harsh weather treatments.

MOUNTING

Mounted directly to finished surface over a recessed 4" octagonal junction box. Additional holes provided for separate mounting to ceiling. Maximum weight 30lbs. – Reflector assembly mounts separately from the fixture addition anchoring required: Maximum weight 10lbs.

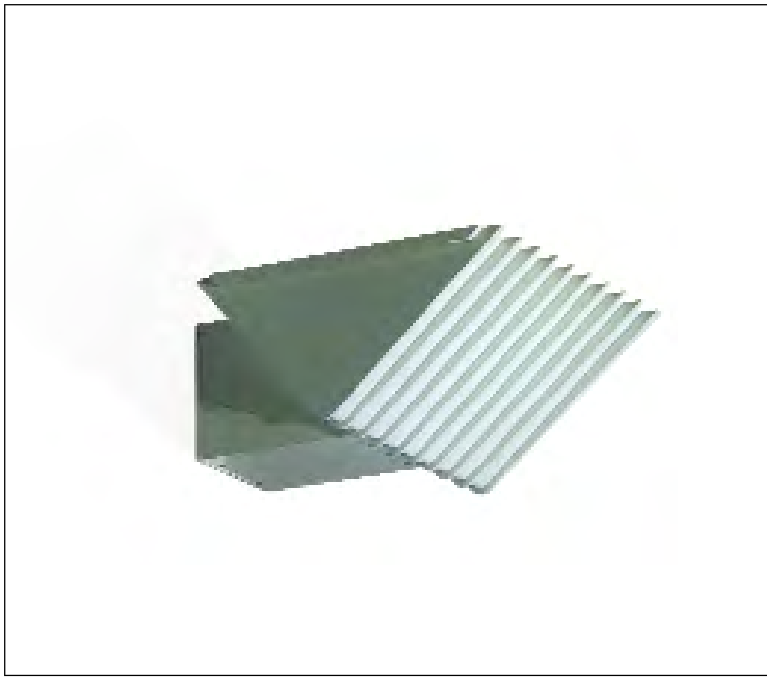
CERTIFICATION

Tested to UL1598 standards, cULus listed wet location.

PELICAN	METAL HALIDE					HIGH PRESSURE SODIUM			
SUFFIX	M70	M100	M150	M175	M250	H70	H100	H150	H250
SOURCE	70W ED17	100W ED17	150W ED17	175W ED17	250W ED18	70W ED17	100W ED17	150W ED17	250W ED18
PL20W	•	•	•	•	•	•	•	•	•
OPTIONS	Photo cell [PH1] :: 120v [PH2] 277-347v								

Please refer to detailed specification sheet for further information and additional options

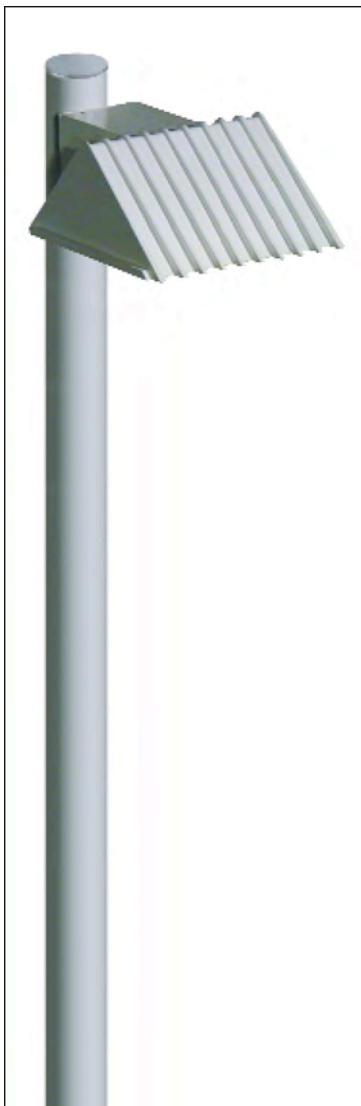
www.luminis.com



Totally versatile, the Pelican luminaire concept includes an up or down wall mounted version or a post-top companion luminaire.

The Pelican series offers also an ideal solution for indoors indirect and outdoor up or down lighting.

PL25W-UP

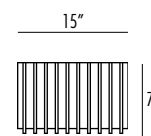
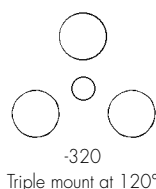
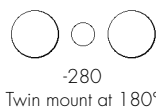


PL30P

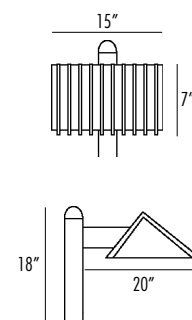


PL30P

POLE MOUNTING OPTIONS



PL25W



PL30P



PL25W



PL30P-320

D A T A

MATERIALS

Pelican components are made of copper free and non-corrosive materials. The luminaire sealed body is made of cast aluminum with a flush lens mount, keeping the clear tempered glass lens free of dust and debris. The ballast is enclosed in the pole arm support housing, and easily accessible with a tray and quick disconnect assembly.

N O T E S

50W HPS available with 120v/277v only.

ELECTRICAL

HIGH INTENSITY DISCHARGE (H.I.D)

BALLAST Core and coil HPF with a min. starting temperature of -40°F (-40°C).

SOCKET Medium base pulse rated 4KV porcelain body with a nickel-plated screw shell and a center contact rated 600V. Supplied with 200°C leads.

COMPACT FLUORESCENT

BALLAST Rapid start electronic smart ballast with a .98 power factor, end of life circuit protection with a minimum starting temperature of 0°F (-18°C). 120V/277V (347V on request).

SOCKET Thermoplastic body rated for 75W-600V. Supplied with 105°C leads.

FINISH

Five-stage preparation process including preheating of cast parts for air pocket extraction and an environmentally friendly alloy sealant. Polyester powder coating is applied through an electrostatic process and oven cured for long-term durability against harsh weather treatments.

MOUNTING

WALL: Mounted directly to finished surface over a recessed 4" octagonal junction box. Additional holes provided for separate mounting to ceiling. Maximum weight 30lbs.
POLE: Slip fits over 4: O.D x 3.75" I.D. pole. Maximum weight 32lbs. EPA 0.7

CERTIFICATION

Tested to UL1598 standards, cULus listed wet location.

PELICAN	METAL HALIDE						HIGH PRESSURE SODIUM					COMPACT FLUORESCENT							
SUFFIX	M50	M70	M100	M150	M175	M250	H50	H70	H100	H150	H250	F132	F142	F157	F170	F226	F232	F242	F257
SOURCE	50W ED17	70W ED17	100W ED17	150W ED17	175W ED17	250W T15	50W ED17 NOTE	70W ED17	100W ED17	150W ED17	250W ED18	1x32W Gx24q	1x42W Gx24q	1x57W Gx24q	1x70W Gx24q	2x26W Gx24q	2x32W Gx24q	2x42W Gx24q	2x57W Gx24q
PL25W Wall	•	•	•	•	•	•	•	•	•	•	•	•	•	•	•	•	•	•	•
PL25W Up	•	•	•	•	•	•	•	•	•	•	•	•	•	•	•	•	•	•	•
PL30P Pole	•	•	•	•	•	•	•	•	•	•									
OPTIONS	Mounted as up-light [-UP]																		

Please refer to detailed specification sheet for further information and additional options

www.luminis.com