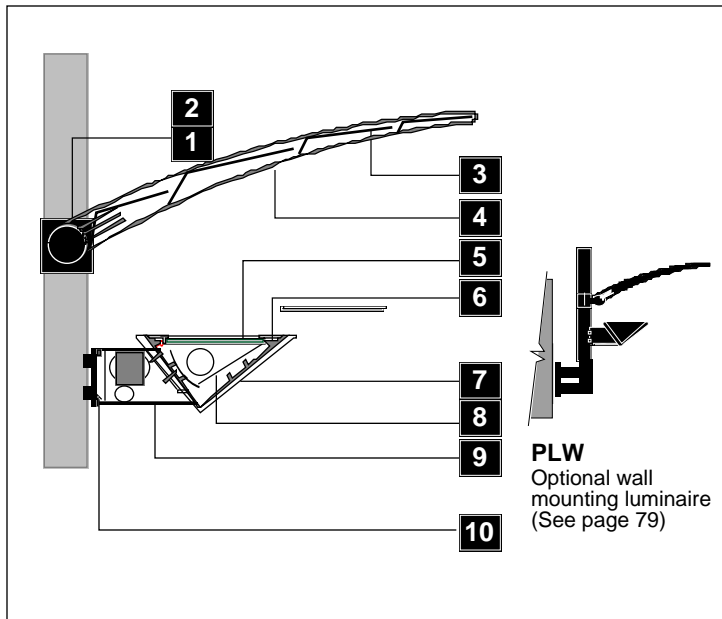


Specification

PL15P



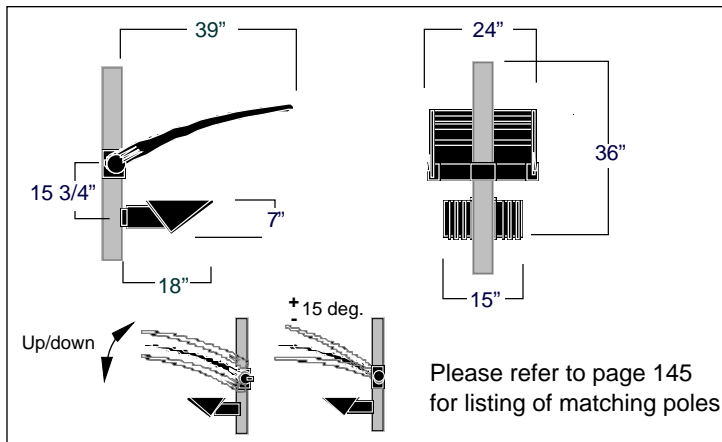
All exposed cast aluminum components are made of non corrosive pure aluminum copper free (Aluminum is less than .1% copper content.#356 alloy.)

Finish: All polyester powder baked coatings preceded with a 5 baths preparation process. Meets military grade MIL-C781706 with a 2000 hours salt spray test.

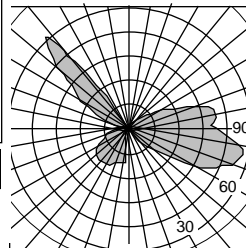
- Multi faceted twin reflector assembly can tilt and slide along pole side, to maximize desired performance on field. A locking cast aluminum assembly is provided to secure adjusted position of reflectors.
- Multi faceted reflector panels are painted with a textured white coating applied on both faces. The white enamel textured finish over the reflective surface insures optimal lighting performance and brightness control.

- Pulse rated porcelain socket.
- One-piece molded silicone gasket with memory retention.
- High power factor CWA ballast, installed on a tray with a quick disconnect assembly.
- All stainless steel hardware.
- All Moving and removable parts are sealed with a memory retention silicone gasket.

- 1 - Aluminum reflector sliding assembly.
- 2 - Cast aluminum tilting and locking assembly.
- 3 - Multi facet textured white aluminum reflector panels assembly.
- 4 - Cast aluminum curved reflector joiner arms.
- 5 - Tempered clear glass lens.
- 6 - Cast aluminum sealed removable glass frame, with perimeter memory retention embedded silicone gasket.
- 7 - Cast aluminum luminaire housing with heat dissipation fins.
- 8 - Specular aluminum reflector.
- 9 - Isolated and sealed aluminum ballast housing.
- 10 - 11 ga. galvanized pressure mounting plate.



Photometry



Separate updated technical specification sheets with related models and light sources with I.E.S formatted photometry are available on www.luminis.com.

Please refer to pages 72-79 for additional details.

Certification

UL. Wet Location.

Mounting / EPA

EPA: 2.85
Fits with a 4" or 5" dia. pole..

Model#	Light source selection	Voltage	Finish	Options
<input type="checkbox"/> PL15P 	MH (ED17) <input type="checkbox"/> M70 <input type="checkbox"/> M100 <input type="checkbox"/> M150 <input type="checkbox"/> M175 <input type="checkbox"/> * M250 (ED18) Mog. base	120 V Standard factory prewired (If no voltage is specified) For other voltages, please specify with catalog number.	(Refer to color chart) <u>Standard selection</u> <input type="checkbox"/> WHT: Snow white <input type="checkbox"/> BKT: Jet black <input type="checkbox"/> BZT: Bronze <input type="checkbox"/> GRT: Titanium gray <input type="checkbox"/> DGT: Gun metal <input type="checkbox"/> CHT: Champagne <input type="checkbox"/> MST: Matte silver <input type="checkbox"/> GNT: Forest green <u>Optional colors</u> <input type="checkbox"/> CS: Custom color <input type="checkbox"/> RAL: RAL# color	Electrical <input type="checkbox"/> FS: Fuse <input type="checkbox"/> PH1: 120/277V photo cell <input type="checkbox"/> PH2: 347V photo cell <input type="checkbox"/> QS: Quartz lamp socket for external emergency power. <input type="checkbox"/> QRS: Quartz restrike standby relay.
	HPS (ED17) <input type="checkbox"/> H70 <input type="checkbox"/> H100 <input type="checkbox"/> H150 <input type="checkbox"/> * H250 (ED18) Mog. base (Lamps by others)	H.I.D. <input type="checkbox"/> 208 V <input type="checkbox"/> 240 V <input type="checkbox"/> 277 V <input type="checkbox"/> 347 V <input type="checkbox"/> 480 V * Lamp operation requires M250 ANSI code M58 H250 ANSI code S50		

Luminaires may be altered for improvements or discontinued without prior notice.