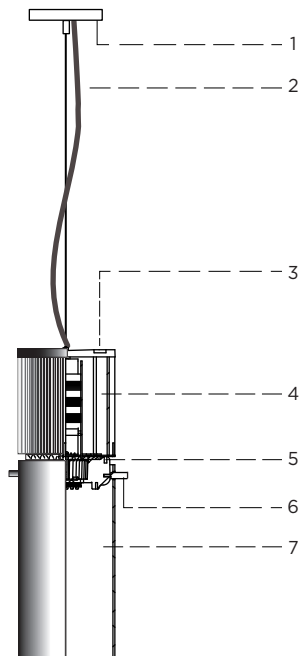


TYPE: _____ QUANTITY: _____ PROJECT: _____

CATALOG NUMBER:

FIXTURE WATTAGE VOLTAGE FINISH OPTION OPTION OPTION OPTION



AR140



- 1- 5" Dia. (127) canopy with universal mounting plate.
- 2- 36" Lg. (914) silver braided power cable with stainless steel suspension cable, with on site adjustment.
- 3- Cast aluminum removable top cover for quick maintenance.
- 4- Extruded aluminum driver housing module with a fine linear stria pattern.
- 5- LED heat sink specifically designed to optimize heat dissipation.
- 6- Cylinder holder knobs.
- 7- White translucent acrylic extruded cylindrical diffuser.

MATERIALS

Aramis is composed of an extruded aluminum driver housing designed to optimize electrical components functionality.

- White translucent extruded acrylic cylinder.
- Led platform is mechanically secured and easily removable for maintenance or upgrade.
- Top cast aluminum cover for ease of access when required.
- Ventilated cast aluminum heat sink to optimize heat management and luminaire efficacy.

ELECTRICAL

LED driver is 120/277V smart volt (50-60HZ) with a minimum starting temperature of -30°C/-22°F.

Output over voltage, Output over current and output short circuit protection with auto-recovery.

Over temperature protection (110°C)

Standard 4000°K LED platform included. Optional 3000°K

Standard 80CRI. Optional 97 CRI for critical color balance.

FINISH

Five stage preparation process including preheating of cast aluminum parts for air extraction, and environmentally friendly alloy sealant. Polyester powder coating is applied through an electrostatic process and oven cured for long lasting finishes.

MOUNTING

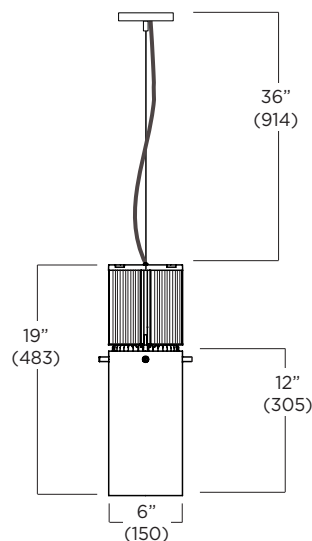
Max. weight: 15 Lbs. (6.9)

Installation: Mounts over a standard 4" (100) Octagonal electrical box with 3 1/2" (89) C/C mounting holes.

CERTIFICATION

Photometric testing per LM79-2008, LED Light source with LM80 certified testing.

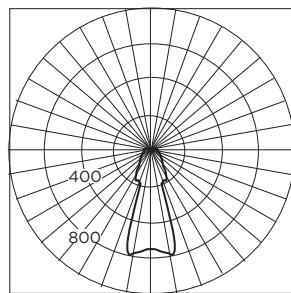
Tested to UL1598 standards and CSA 22.2 #250. ETL listed damp location. CE certification on request.



AR140

ARAMIS - LED

TYPICAL PHOTOMETRY SUMMARY




Descriptive Information
 Total delivered lumens
 1060 Lumens
 Input watts at 120V: 28 W
 S/MH = 0.6
 Source: LED

AR140-L1W30
 White translucent
 cylinder

Indoor report Polar graph
 Maximum Candela = 743

Please visit our web site www.luminis.com for complete I.E.S formatted download data.

LUMINAIRE SELECTION

MODEL#	LED LIGHT SELECTION	VOLTAGE ¹	FINISH													
 <input type="checkbox"/> AR140	<table border="1"> <thead> <tr> <th>SUFFIX</th> <th>WATTS</th> <th>DELIVERED LUMENS</th> <th>CRI</th> <th>CCT °K</th> </tr> </thead> <tbody> <tr> <td><input type="checkbox"/> L1W12</td> <td>12W</td> <td>650</td> <td rowspan="2">80</td> <td rowspan="2">4000 °K</td> </tr> <tr> <td><input type="checkbox"/> L1W30</td> <td>28W</td> <td>1060</td> </tr> </tbody> </table>	SUFFIX	WATTS	DELIVERED LUMENS	CRI	CCT °K	<input type="checkbox"/> L1W12	12W	650	80	4000 °K	<input type="checkbox"/> L1W30	28W	1060	<input type="checkbox"/> 120V <input type="checkbox"/> 277V	STANDARD COLORS <input type="checkbox"/> WHT Snow white <input type="checkbox"/> BKT Jet black <input type="checkbox"/> BZT Bronze <input type="checkbox"/> MST Matte silver <input type="checkbox"/> GRT Titanium gray <input type="checkbox"/> DGT Gun metal <input type="checkbox"/> CHT Champagne OPTIONAL COLORS <input type="checkbox"/> CS Custom color <input type="checkbox"/> RAL RAL# color (Refer to color chart)
	SUFFIX	WATTS	DELIVERED LUMENS	CRI	CCT °K											
<input type="checkbox"/> L1W12	12W	650	80	4000 °K												
<input type="checkbox"/> L1W30	28W	1060														

OPTIONS (Refer to page 3 for details)

ELECTRICAL

- DM** 0-10V 120/277V Dimming driver
- EML** 120/277V Remote emergency driver
- FS** Fuse
- K3** 3000°K CCT LED
- K3D** 3000°K 97 CRI L.E.D. For critical light color balance.

MOUNTING

- CK** Surface ceiling mounting adaptor
- STM** 36" Lg. Stem suspension
- SPG** Factory cut to length silver braided power cord with adjustable suspension cable (Please specify desired length with suffix.)

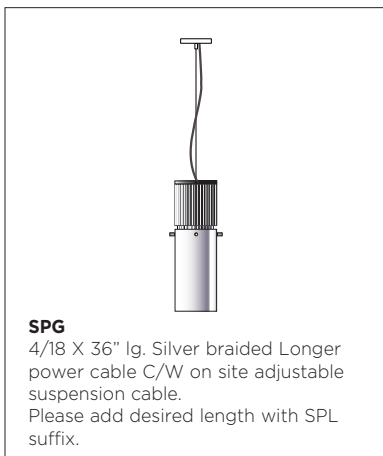
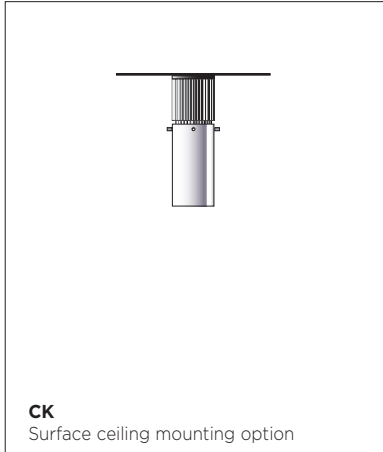
NOTES

- 1- Luminaires are factory prewired for 120V unless otherwise specified.



OPTIONS

MOUNTING



ELECTRICAL

