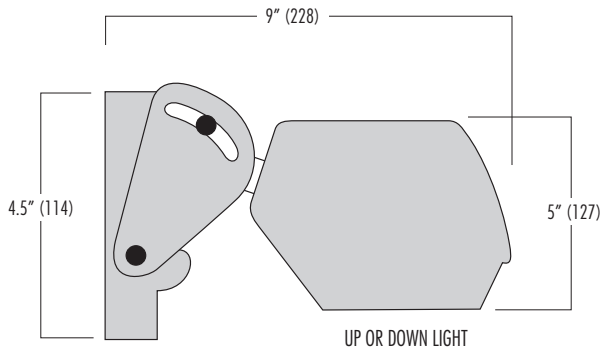
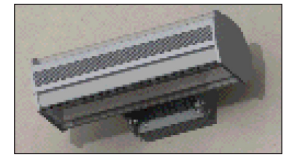


## QUANTA

### QT200



#### DESCRIPTION

Quanta is perfect for highlighting architectural features or illuminating wide areas on building perimeters. Giving you more control of what you choose to illuminate. Featuring a dark sky friendly full cutoff down light, you will also benefit from various lighting intensities, exceptional lumen efficiency and optional forward throw with on site adjustability.

A standard 15° luminaire tilt with a locking mechanism, allows tuning of light with illuminated surface texture.

Quanta may be installed for exterior or interior lighting applications.

Quanta will provide a min. of 50 ft. of effective wall illumination.

Quanta may be installed in two positions.

**DOWN LIGHT:** Full cutoff distribution with a set of lenses individually and precisely positioned to provide Type I distribution.

**UP LIGHT:** Positioned as an up light, Quanta is also perfect for wall or under canopy illumination.

#### GENERAL SPECIFICATION

##### FINISH

Five stage preparation process. Polyester powder coating is applied through an electrostatic process and oven cured for longterm durability against harsh weather treatments.

- Extruded aluminum with internal heat sink for effective dissipation of heat
- Fully sealed luminaire with memory retention gasketing
- Clear tempered glass lens
- Weather resistant IP66 connection
- U.V stabilized SE00W power cable meets U.L 62
- Cast aluminum mounting assembly with holder cables to facilitate electrical connections during installation
- Single point mounting with heavy cast aluminum mechanism
- Blind pressure stainless steel fasteners
- Standard 4 K LED's. (Optional 35 K is available)
- U.L listed for wet location IP66

**LM79** Independent photometry testing

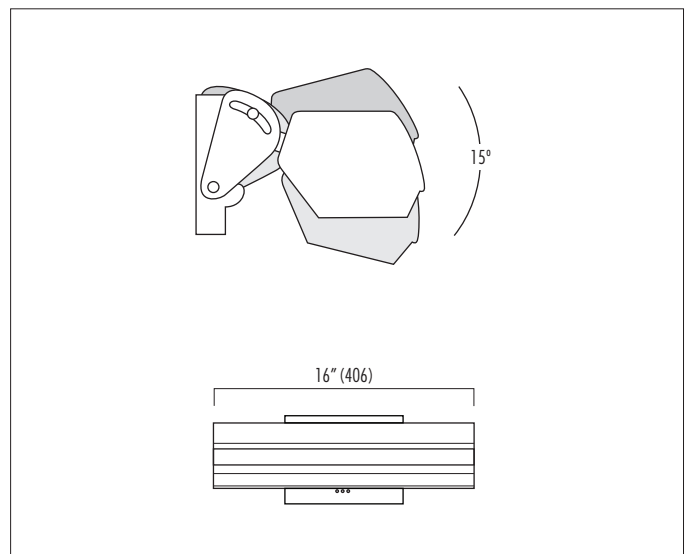
**LM80** Certified components

#### ELECTRICAL SPECIFICATION

- Power factor > 90% at full load
- Voltage: 120/277V Constant voltage (+/- 10%)
- Frequency: 56/60 HZ
- System efficacy < 50%
- Overheat protection, self-limited short circuit protection and overload protected
- Load regulated from 0 to full load +/- 1%
- LED life rated at min. 70,000 hours
- Exclusive modular PC LED boards. Each module can be easily replaceable on site if required.

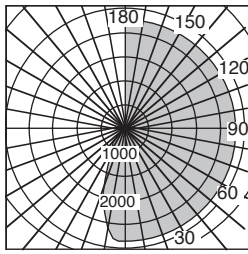
Quanta comes standard with a color temperature of 4000° K. Employing only industry-recognized LED manufacturers with ANSI Compliant binning.

Quanta features a 15° tilt adjustment with angular indicators and locking mechanism.

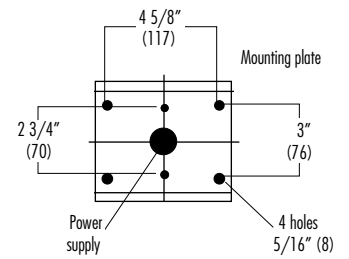


## PHOTOMETRY

Please visit our web site [www.luminis.com](http://www.luminis.com) for complete I.E.S formatted download data.



## MOUNTING



## LUMINAIRE SELECTION

<p><b>QT200</b> Up or Down</p>	<p><b>LUMINAIRE FOR UP OR DOWN LIGHTING</b></p> <table border="1"> <tr> <td>Lens type</td> <td>Narrow</td> </tr> <tr> <td>Input watts</td> <td>24</td> </tr> <tr> <td>Total flux</td> <td>1368 Lms</td> </tr> <tr> <td>LPW</td> <td>52 lms</td> </tr> </table>	Lens type	Narrow	Input watts	24	Total flux	1368 Lms	LPW	52 lms	<p>Down light position</p>	<p>Up light position</p>
Lens type	Narrow										
Input watts	24										
Total flux	1368 Lms										
LPW	52 lms										
<p><b>QT200-FW4</b> Forward throw FW4</p>	<p><b>LUMINAIRE FOR UP OR DOWN LIGHTING WITH FORWARD THROW</b></p> <table border="1"> <tr> <td>Lens type</td> <td>Narrow</td> </tr> <tr> <td>Input watts</td> <td>36</td> </tr> <tr> <td>Total flux</td> <td>2052 Lms</td> </tr> <tr> <td>LPW</td> <td>52 lms</td> </tr> </table>	Lens type	Narrow	Input watts	36	Total flux	2052 Lms	LPW	52 lms	<p>Down light position</p>	<p>Up light position</p>
Lens type	Narrow										
Input watts	36										
Total flux	2052 Lms										
LPW	52 lms										
<p><b>QT200-UL2</b> Up light UL2</p>	<p><b>LUMINAIRE FOR UP AND DOWN LIGHTING</b></p> <table border="1"> <tr> <td>Lens type</td> <td>Narrow</td> </tr> <tr> <td>Input watts</td> <td>36</td> </tr> <tr> <td>Total flux</td> <td>2052 Lms</td> </tr> <tr> <td>LPW</td> <td>52 lms</td> </tr> </table>	Lens type	Narrow	Input watts	36	Total flux	2052 Lms	LPW	52 lms	<p>30 % Up - 70 % Down</p>	<p>70 % Up - 30 % Down</p>
Lens type	Narrow										
Input watts	36										
Total flux	2052 Lms										
LPW	52 lms										
<p><b>QT200-UL2-FW4</b> Up light UL4 Forward throw FW4</p>	<p><b>LUMINAIRE FOR UP AND DOWN LIGHTING WITH FORWARD THROW</b></p> <table border="1"> <tr> <td>Lens type</td> <td>Narrow</td> </tr> <tr> <td>Input watts</td> <td>48</td> </tr> <tr> <td>Total flux</td> <td>2736 Lms</td> </tr> <tr> <td>LPW</td> <td>52 lms</td> </tr> </table>	Lens type	Narrow	Input watts	48	Total flux	2736 Lms	LPW	52 lms	<p>25 % Up - 75 % Down</p>	<p>75 % Up - 25 % Down</p>
Lens type	Narrow										
Input watts	48										
Total flux	2736 Lms										
LPW	52 lms										

Please add Voltage-Finish & Option suffix (If applicable) to selected catalog number.

### VOLTAGE

- 120 V  
 277 V

Luminaires are prewired for 120V if no voltage is specified.

### STANDARD FINISHES

- WHT:** Snow white  
 **BKT:** Jet black  
 **BZT:** Bronze  
 **GRT:** Titanium gray  
 **DGT:** Gun metal  
 **CHT:** Champagne  
 **CS:** Custom color

(Refer to color chart)

### OPTIONS

- K35** 3500° K LED color rendition  
 **LP** Prismatic LED concealing lens 10% loss  
 **EMQ** LED integral emergency battery

# LUMINIS

(USA) 3555 NW 53<sup>rd</sup> Court, Fort Lauderdale, FL.33309 — Toll free: 888.401.6999, Fax: 954.717.4157  
(Canada) 260 Labrosse, Pointe Claire (Quebec) H9R 5L5

[www.luminis.com](http://www.luminis.com)